

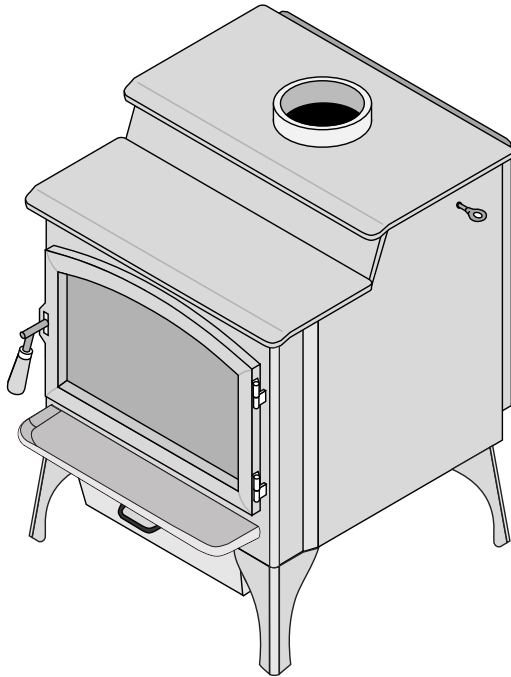


Endeavor (Aust)

(EPA 2020 Compliant)

Wood Stove

Owner's Manual



- Freestanding Stove
- Hearth-Stove Approved

Save these instructions
for future reference

⚠ WARNING



**HOT GLASS WILL
CAUSE BURNS.
DO NOT TOUCH GLASS
UNTIL COOLED.
NEVER ALLOW CHILDREN
TO TOUCH GLASS.**

SAFETY NOTICE:

If this appliance is not properly installed, a house fire may result. For your safety, follow the installation directions. Contact local building or fire officials about restrictions and installation inspection requirements in your area.

Dragon Wholesaling Pty. Ltd.
Unit 4/16 Lexington Drive
Bella Vista NSW
Australia 2153

© Copyright 2019,
Travis Industries, Inc.
\$10.00
100-01517
6/12/2019

Tested by:
Australian Solid Fuel Testing
3 Garden Street, Morwell Vic 3840
Tested to: AS/NZS 4012/4013: 2014
Report Number: ASFT19027

- Introduction 2**
- Important Information 2**
- Listing Label 4**
- Installation Options 7**
- Features 7**
- Heating Specifications 7**
- Dimensions 7**
- Emissions, Efficiency and Heat Output 7**
- Packing List 8**
- Planning the Installation 8**
- Preparation for Installation 8**
- Floor Protection Requirements 8**
- Stove Placement Requirements 8**
- Clearances 9**
- Chimney Connector Requirements 10**
- Chimney Requirements 11**
- Chimney Termination Requirements 12**
- Outside Air Requirements 12**
 - Standard Ceiling with a Factory Built Chimney ... 13
 - Cathedral Ceiling with a Factory Built Chimney .. 13
 - Exterior Factory Built Chimney 14
 - Hearth Stove Positive Connection 14
 - Interior or Exterior Masonry Chimney 15
- Safety Notice 16**
- Before Your First Fire 16**
 - Verify the Installation 16
 - Curing the Paint 16
 - Carbon Monoxide (CO) Emissions 16
 - Over-Firing the Stove 16
- Opening the Door 17**
- Bypass Operation 17**
- Before Starting a Fire 18**
- Adjusting the Burn Rate 19**
 - Approximate Air Control Settings 19

- Understanding Your Heater’s Combustion System 20**
- Burning Your Heater 20**
- Ash Removal 21**
 - Ash Pan Removal 21
- Optional Blower Operation 22**
- Re-Loading the Stove 22**
- Overnight Burn 22**
- Normal Operating Sounds 22**
- Hints for Burning 23**
- Selecting Wood 23**
 - Why Dry Wood is Key 23
 - Wood Cutting and Storage 23
 - Do Not Burn List 24
- Troubleshooting 25**
- Daily Maintenance (while stove is in use) ... 26**
 - Remove Ash (if necessary) 26
 - Clean the Glass (if necessary) 26
- Monthly Maintenance (while appliance is in use) 27**
 - Door and Glass Inspection 27
 - Door Adjustment 27
 - Creosote - Formation and Need for Removal 28
- Yearly Maintenance 28**
 - Touch-Up Paint 28
 - Firebrick and Baffle Inspection 28
- Door Parts 29**
 - Replacing the Glass 29
 - Replacing the Door Gasket 29
 - Replacing the Door Handle 29
- Firebox Parts 30**
 - Floor and Side Firebrick Removal & Replacement 30
- Air Tube Removal & Replacement 31**
- Baffle Removal & Replacement 32**
 - Removal 32
 - Replacement 35

Listing Label

SERIAL NO.:

[Empty box for SERIAL NO.]

LOPI ENDEAVOR 2020 (AU) FREESTANDING

TESTED BY: AUSTRALIAN SOLID FUEL TESTING 2019

- MAXIMUM AVERAGE HEAT OUTPUT BURNING HARDWOOD = 11.1 KW
- OVERALL AVERAGE EFFICIENCY BURNING HARDWOOD = 66%
WHEN TESTED IN ACCORDANCE WITH AS/NZS 4012/4013 (2014)
- APPLIANCE EMISSION FACTOR BURNING HARDWOOD = 1.1 g/Kg

TESTED TO: AS/NZS 4012/4013: 2014

REPORT NUMBER: ASFT19027

Date Tested: 08/04/2019 - 11/04/2019

Manufactured Exclusively for:
 DRAGON WHOLESALING PTY. LTD., INC.
 UNIT 4, 16 Lexington Drive
 Bella Vista NSW 2153
 Australia

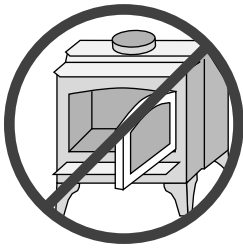
U.S. Environmental Protection Agency Export Stove.
 May not be operated within the United States

By:
 TRAVIS INDUSTRIES, INC.
 Mukilteo, WA USA

DATE OF MANUFACTURE

2019	2020	2021	2022	Jan	Feb	Mar	Apr	May	Jun	Jul	Aug	Sep	Oct	Nov	Dec
<input type="checkbox"/>	<input type="checkbox"/>	<input type="checkbox"/>	<input type="checkbox"/>	<input type="checkbox"/>	<input type="checkbox"/>	<input type="checkbox"/>	<input type="checkbox"/>	<input type="checkbox"/>	<input type="checkbox"/>	<input type="checkbox"/>	<input type="checkbox"/>	<input type="checkbox"/>	<input type="checkbox"/>	<input type="checkbox"/>	<input type="checkbox"/>

0612



The viewing door must be closed and latched during operation.
Smoke from this appliance may activate a smoke detector when the door is open.
Never block free airflow through the air vents on this appliance.



Gasoline or other flammable liquids must never be used to start the fire or "Freshen Up" the fire. Do not store or use gasoline or other flammable liquids in the vicinity of this appliance.



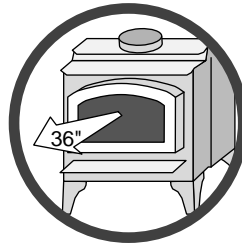
This appliance is designed and approved for the burning of cord wood only. Do not attempt to burn any other type of fuel other than cord wood in this appliance, it will void all warranties and safety listings.



Ashes must be disposed in a metal container with a tight lid and placed on a non-combustible surface well away from the home or structure.



Do not touch the appliance while it is hot and educate all children of the danger of a high-temperature appliance. Young children should be supervised when they are in the same room as the appliance.



Keep furniture, drapes, curtains, wood, paper, and other combustibles a minimum of 36" away from the front of the appliance.



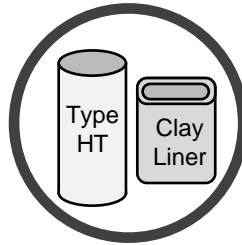
This appliance must be properly installed to prevent the possibility of a house fire. The instructions must be strictly adhered to. Do not use makeshift methods or compromise in the installation.



Contact your local building officials to obtain a permit and information on any installation restrictions or inspection requirements in your area. Notify your insurance company of this appliance as well.



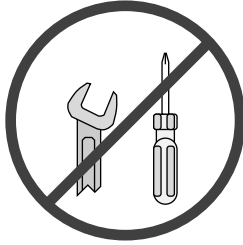
Inspect the chimney connector and chimney at least twice monthly and clean if necessary. Creosote may build up and cause a house fire.
Do not connect this appliance to any chimney serving another appliance.



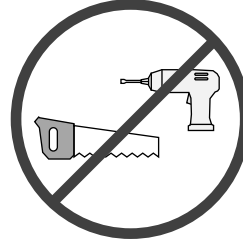
This appliance must be connected to a listed high temperature (UL 103 HT) residential type chimney or an approved masonry chimney with a standard clay tile, or stainless steel liner.



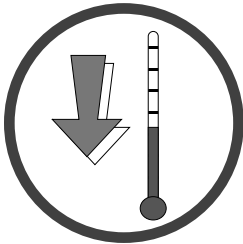
Do not place clothing or other flammable items on or near this appliance.



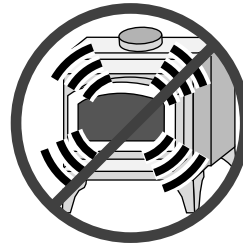
Never try to repair or replace any part of this appliance unless instructions are given in this manual. All other work must be done by a trained technician. Do not make any changes or modifications to an existing masonry fireplace or chimney to install this appliance.



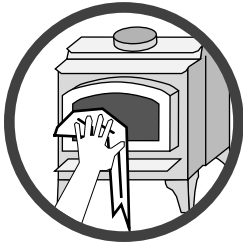
This wood heater has a manufacturer-set minimum low burn rate that must not be altered. It is against federal regulations to alter this setting or otherwise operate this wood heater in a manner inconsistent with operating instructions in this manual.



Allow the appliance to cool before carrying out any maintenance or cleaning.

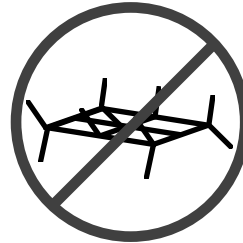


Over-firing the appliance may cause a house fire. If a unit or chimney connector glows, you are over-firing.

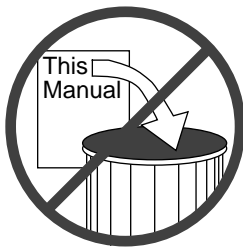


Maintain the door and glass seal and keep them in good condition.

Do not operate this heater with broken or missing glass. Avoid placing wood against the glass when loading. Do not slam the door or strike the glass.



Do not use a grate or other device to elevate the fire off of the firebox floor. Burn the fire directly on the bricks.



Do not throw this manual away. This manual has important operating and maintenance instructions that you will need at a later time. Always follow the instructions in this manual.



Travis Industries, Inc. grants no warranty, implied or stated, for the installation or maintenance of your appliance, and assumes no responsibility of any consequential damage(s).

Smoke and CO Detectors: Make sure your home has a working smoke detector, especially near any bedrooms. We recommend having a smoke and/or CO detector in the same room as the wood heater for additional safety.

Proposition 65 Warning: Fuels used in gas, woodburning or oil fired appliances, and the products of combustion of such fuels, contain chemicals known to the State of California to cause cancer, birth defects and other reproductive harm.

California Health & Safety Code Sec. 25249.6

Travis Wood Burning Fireplaces, Stoves and Inserts are protected by one or more of the following patents; U.S. 9,170,025 4,665,889 as well as other U.S. and Foreign Patents pending.

Installation Options

- Freestanding
- Freestanding Hearth Stove

Features

- 2.5 Cubic Foot Firebox Volume (.071 cubic meters)
- Single Operating Control
- Accepts Logs Up to 18" Long (457mm)
- Steel Plate Construction (5/16" & 3/16") (8mm & 10mm)
- Heavy Duty Refractory Firebrick
- Optional High-Tech Blower

Heating Specifications

Approximate Maximum Heating Capacity (in square meters)*	Up to 250
Maximum Burn Time	Up to 10 Hours

* Heating capacity will vary depending on the home's floor plan, degree of insulation, and the outside temperature. It is also affected by the quality and moisture level of the fuel.

Dimensions

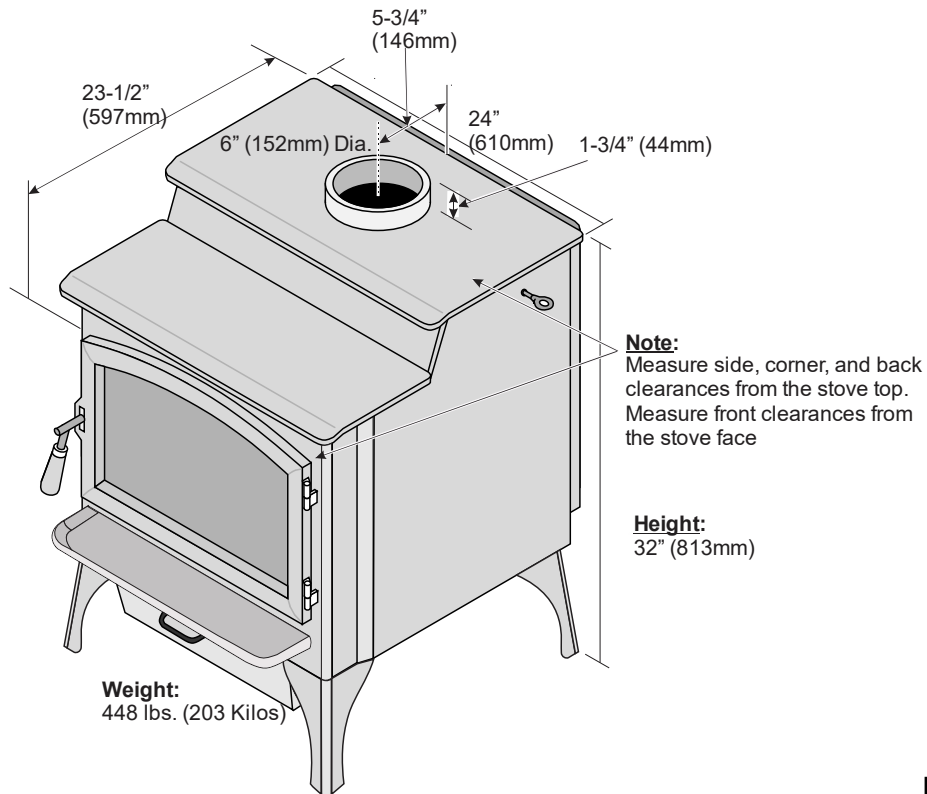


Figure 1

Emissions, Efficiency and Heat Output

• Appliance Emission Factor burning hardwood	1.1g/kg
• Overall Average Efficiency burning hardwood	66%
• Maximum Average Heat Output burning hardwood	11.1kw

SAFETY NOTICE:

Please read this entire manual before you install and use your new room heater. Failure to follow instructions may result in property damage, bodily injury, or even death. Contact local building or fire officials about restrictions and installation inspection requirements in your area.

Packing List

- Wood moisture meter
- Bypass tool

Planning the Installation

We suggest that you have an authorized Travis Industries dealer install your stove. If you install the stove yourself, your authorized dealer should review your installation plans.



Check with local building officials for any permits required for installation of this stove and notify your insurance company before proceeding with installation.



The location of your wood heater in your home will decide how affectively the heat produced will spread throughout your house. Attention to the home design with consideration of natural convection and air circulation should be taken into account when choosing the placement of your heater within the home.

Preparation for Installation

- Check for damage to the exterior of the stove (dents should be reported, scratches can be fixed by applying touch up paint).
- Check the interior of the firebox (replace cracked firebrick and make sure baffle is in place).



The stove can be lightened by removing the firebricks and baffle (page 30) - replace before operation.

Floor Protection Requirements

- Stove must be placed on the Travis Industries legs.
- Floor protection must extend to the sides, rear, and front of the stove (see “Clearances” below for minimum floor protection).
- Floor protection must be min 12mm (compressed board). The Thermal resistivity of the floor protector is 0.08m².K/W for 6mm thick sheets.

Stove Placement Requirements

Clearances may be reduced by methods specified in NFPA 211, listed wall shields, pipe shields, or other means approved by local building or fire officials.

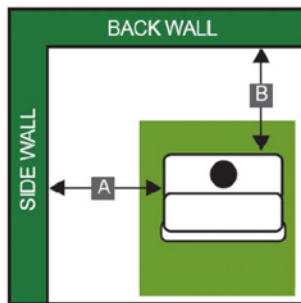
- Stove must be placed so that no combustibles are within, or can swing within (e.g. drapes, doors), 36" (914mm) of the front of the stove
- If the stove is placed in a location where the ceiling height is less than 7' (2134mm), it must follow the requirements in the section “Alcove Installation Requirements”
- Must maintain the clearances to combustibles listed below (drywall, furniture, etc.):

Clearances

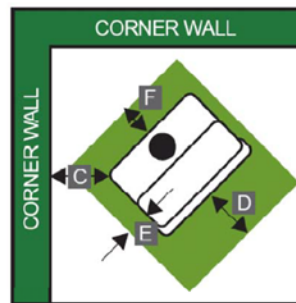
- The following clearances must be met.

Clearance Requirements:		With 8" solid painted casing heat shield	With 8" Decromesh Casing heat shield
A	Sidewall to stovetop	500mm	500mm
B	Back wall to stovetop	225mm	200mm
C	Corner wall to stovetop	150mm	225mm
D	Floor protection front	350mm	350mm
E	Floor protection side	108mm	108mm
F	Floor protection back	163mm	163mm
*Minimum total hearth depth		1110mm	1110mm

STRAIGHT WALL INSTALLATION



CORNER WALL INSTALLATION



AUSTRALIAN FLUE KIT REQUIREMENTS:

The above clearances are in accordance to the following:

The heater is to be installed with a 150mm/6" Stainless Steel triple skin (default) flue kit (fitted with heat shields see below) which conforms to the requirements of the joint AS/NZS 2918:2018 3.3.2 Standard, Appendix, with respect to the rear wall, side wall, floor and ceiling surface temperatures, when tested in the positions shown.

Heat Shield Options:

- 200mm/8" Decorative Mesh, up into the drop box, with the 1st length (900mm) to have a solid back.
- 200mm/8" Solid painted casing.

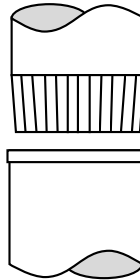
Chimney Connector Requirements

- Chimney connector is required from the flue collar of the stove to the factory-built chimney or masonry chimney.
- The chimney connector must be 6" diameter and a minimum 24 gauge black steel, or one of the reduced-clearance connectors listed on page 8.

NOTE: Aluminum or galvanized steel is not allowed – these materials cannot withstand the flue temperatures and may give off toxic fumes when heated.

NOTE: Standard residential installations may use single-wall connector (Mobile-Homes may **not**).

- The chimney connector may not pass through a ceiling, attic, roof, closet, or any other concealed space (use listed UL 103 HT chimney – see "Chimney Requirements for details). **DO NOT USE CONNECTOR PIPE AS CHIMNEY.**
- IN CANADA: Where passage through a wall or partition of combustible construction is desired, the installation shall conform to CAN/CSA-B365, Installation Code for Solid-Fuel-Burning Appliances and Equipment.
- The chimney connector should be as short and direct as possible. No more than 180° of elbows may be used for the entire system (connector and chimney).. Horizontal runs should slope upwards 1/4" per foot and be a maximum 36" long.
- The chimney connector must be installed with the crimped end pointing downwards. This prevents creosote from leaking to the exterior of the pipe.



- The chimney connector must be fastened to the stove and each adjoining section (and chimney).
- Standard residential installations may use single-wall connector.
- Standard residential installations with reduced clearance connector may use the clearance determined by the manufacturer of the connector for the connector to wall clearance or the clearance listed in this manual. Offsets must be used to maintain the stove to wall clearance. Mobile homes must use the clearances listed in this manual under "Additional Requirements for Mobile Home Installations".

Chimney Requirements

- DO NOT CONNECT THIS UNIT TO A CHIMNEY FLUE SERVING ANOTHER APPLIANCE.
- DO NOT CONNECT TO OR USE IN CONJUNCTION WITH ANY AIR DISTRIBUTION DUCTWORK UNLESS SPECIFICALLY APPROVED FOR SUCH INSTALLATIONS
- UL 103 HT Chimney must be used from the first ceiling or floor penetration to the chimney cap.
- Use 152mm (6") diameter type UL 103 HT chimney from one manufacturer (do not mix brands) or code approved masonry chimney with a flue liner.
- Chimney must be fastened to each adjoining section.
- Follow the chimney manufacturer's clearances and requirements.
- Use the chimney manufacturer's fire stops, attic guards, roof supports, and flashings when passing through a ceiling.
- No more than 180° of elbows may be used for the entire system (connector and chimney).

NOTE: Additional elbows may be allowed if draft is sufficient. Whenever elbows are used the draft is adversely affected. Additional chimney height may be required to boost draft.

- (a) Min. System Height 4.5 meters (15')
Max. System Height 10.058 meters (33')
- (b) Roof Penetration and Termination (see chimney manufacturer's requirements)
- (c) Chimney Sections
- (d) Ceiling Penetration (see chimney manufacturer's requirements)
- (e) Minimum air space to combustibles (see chimney manufacturer's requirements – typically 51mm (2"))
- (f) Connector – see "Chimney Connector" on the previous page.

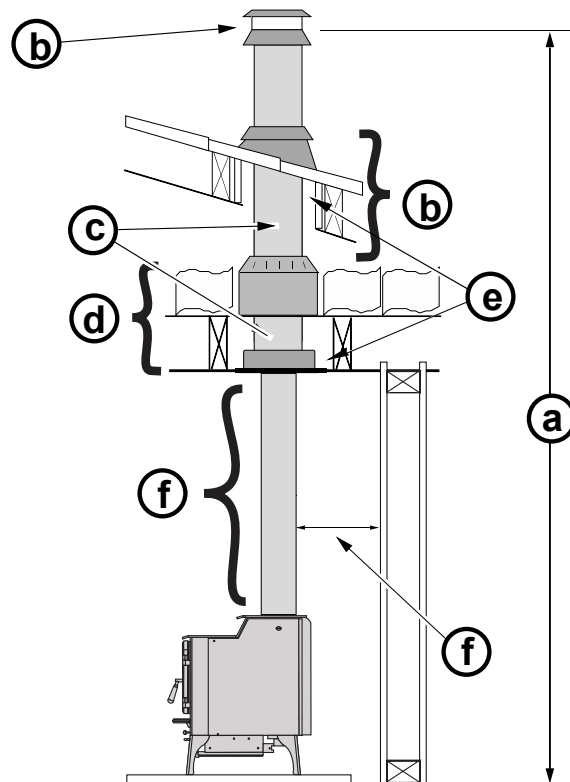


Figure 2

Drafting Performance

Draft is the force which moves air from the appliance up through the chimney. The amount of draft in your chimney depends on the length of the chimney, local geography, nearby obstructions and other factors. Too much draft may cause excessive temperatures in the appliance and may damage the heater. Inadequate draft may cause backpuffing into the room and 'plugging' of the chimney. Inadequate draft will cause the appliance to leak smoke into the room through appliance and chimney connector joints. An uncontrollable burn or excessive temperature indicates excessive draft.

Chimney Termination Requirements

- Must have an approved cap (to prevent water from entering)
- Must not be located where it will become plugged by snow or other material
- Must terminate at least 3.28' (1000mm) above the roof **and** at least 2' (610mm) above any portion of the roof within 10' (3.04M) (see Figure 3).

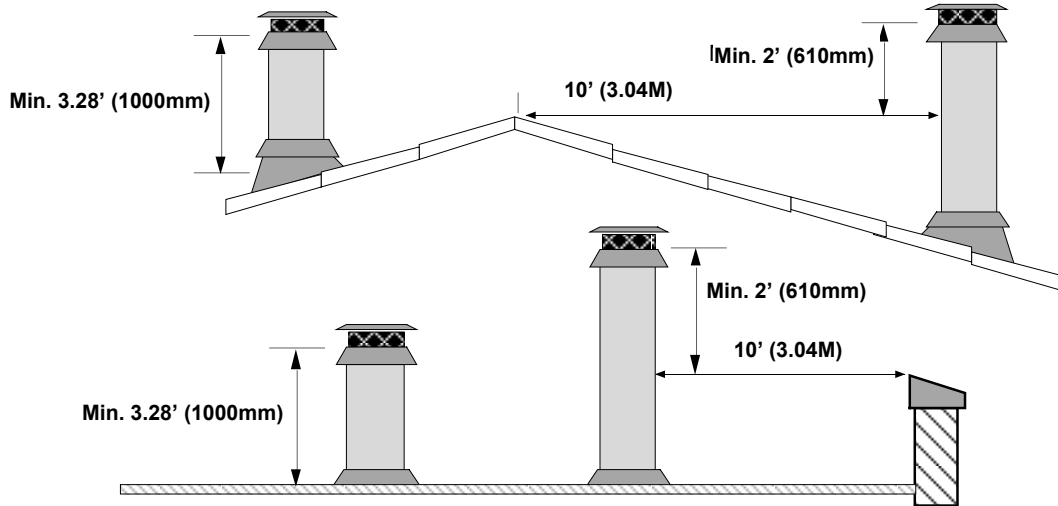
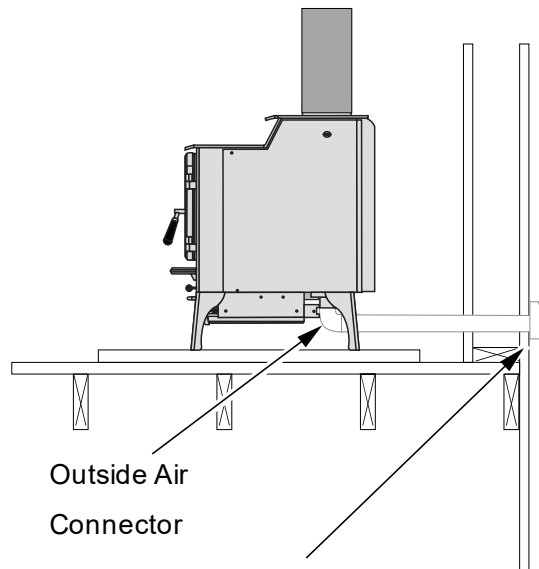


Figure 3

Outside Air Requirements

- Required for mobile homes & in certain localities (check with building officials).
- Must not be drawn from an enclosed space (garage, unventilated crawl space). May be drawn from ventilated crawl space (a) or exterior of home (d). Must have suitable rodent/debris screen and rain protection (hood).
- Requires the optional outside air kit (sku# 99200139) – see below.
- Air duct maximum length is 15' (4.57M) with a minimum cross section of 16 square inches (10323mm) or 6' (1.83M) with a minimum cross section of 7 square inches (4517mm).



Outside air entrance must be placed so it does not become blocked by snow

Figure 4

Standard Ceiling with a Factory Built Chimney

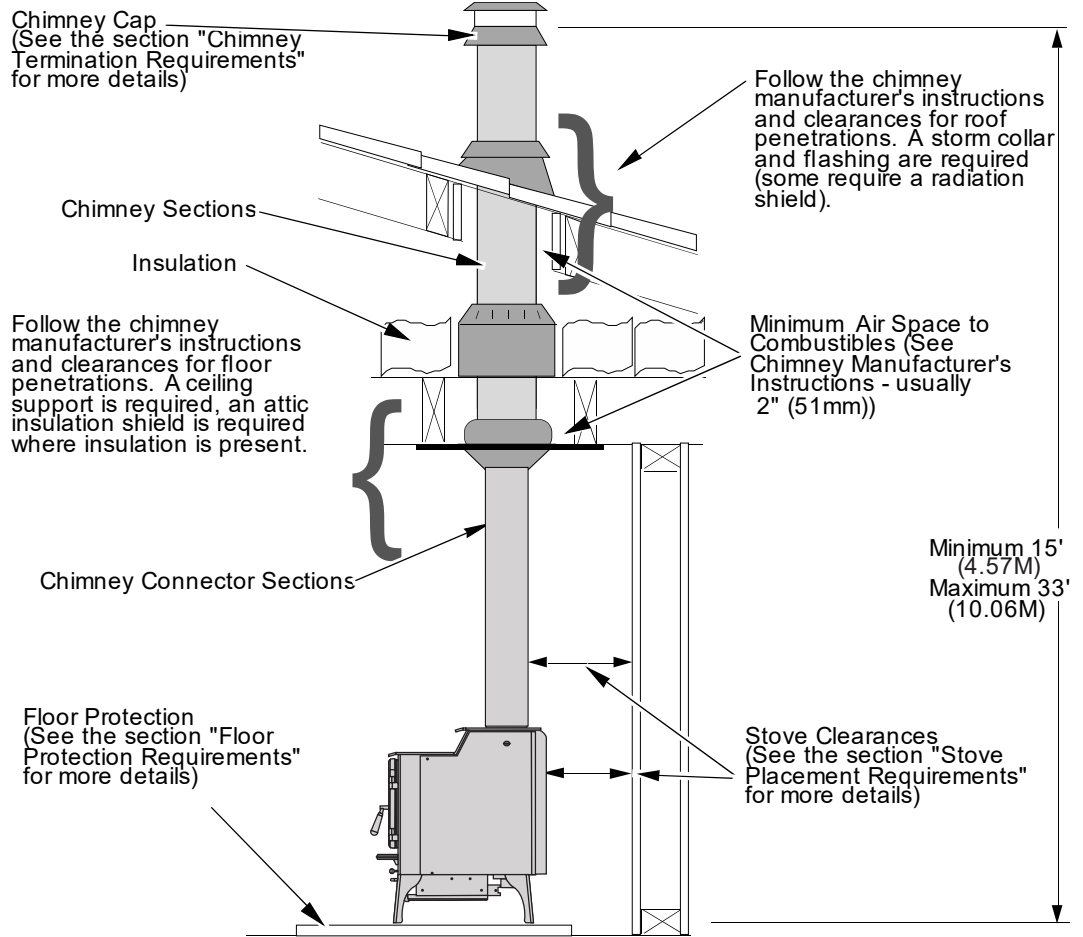


Figure 5

Cathedral Ceiling with a Factory Built Chimney

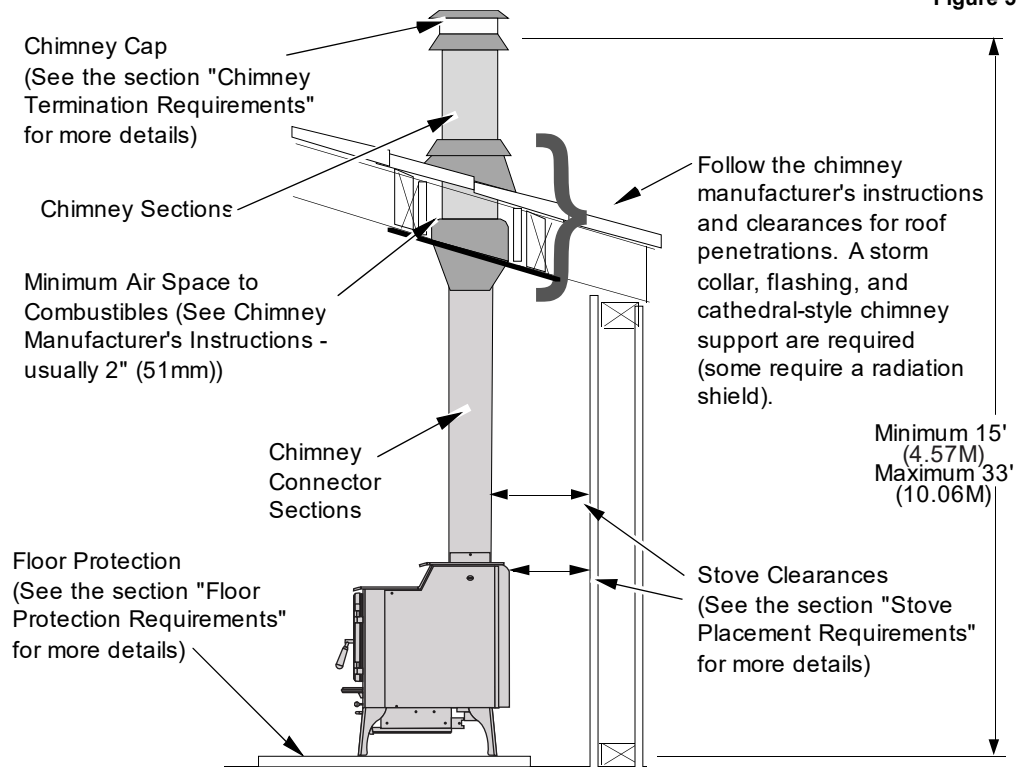


Figure 6

Exterior Factory Built Chimney

NOTE:

Exterior chimneys are subject to greater moisture and creosote accumulation due to the lower temperatures. An insulated chase will reduce these accumulations (the proper clearances to the chimney must be maintained).

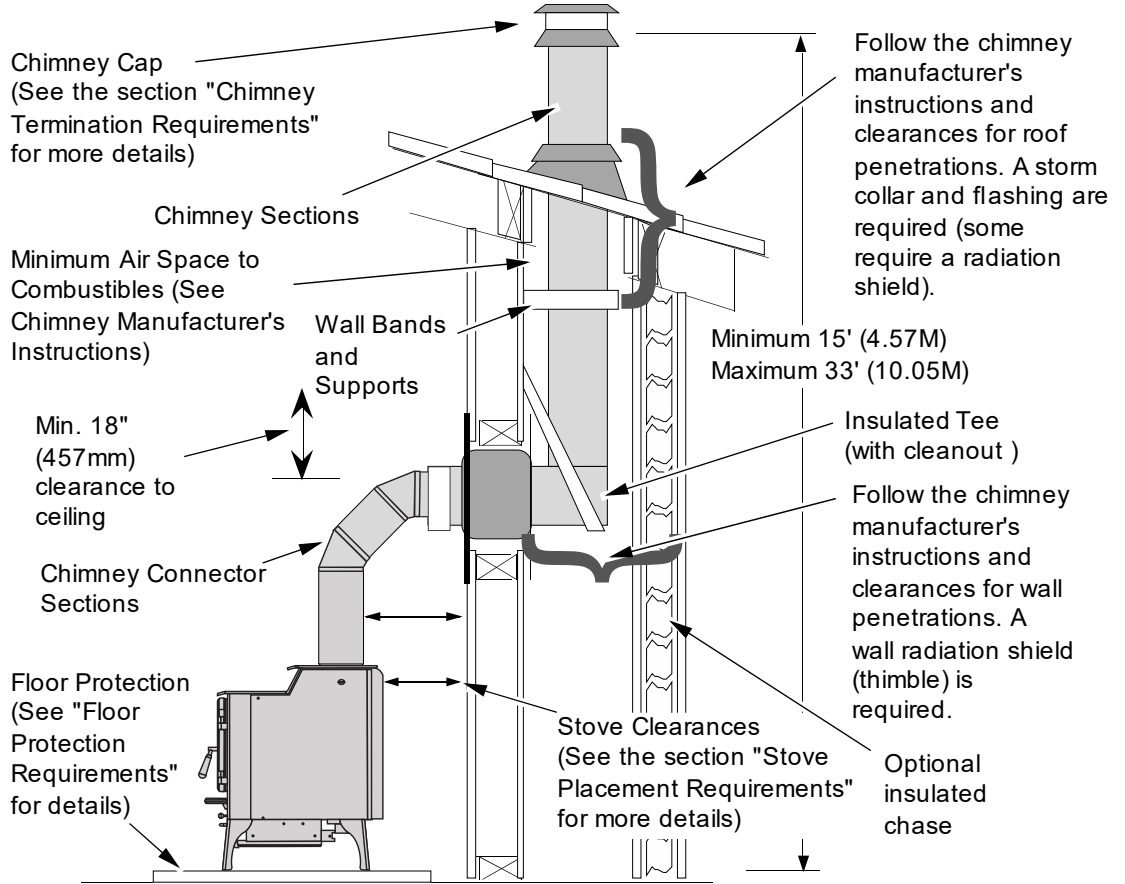


Figure 7

Hearth Stove Positive Connection

NOTE:

Most factory-built chimney manufacturers make stainless steel chimney liners, either flexible or rigid. This provides a wide variety of installation options. Make sure to follow the manufacturer's instructions for installation and support.

NOTE: The entire fireplace and chimney must be clean, undamaged, and meet all local building codes (UBC, etc.). Damage must be repaired prior to installation. The chimney must be 15' (4.57M) to 33' (10.06M) tall.

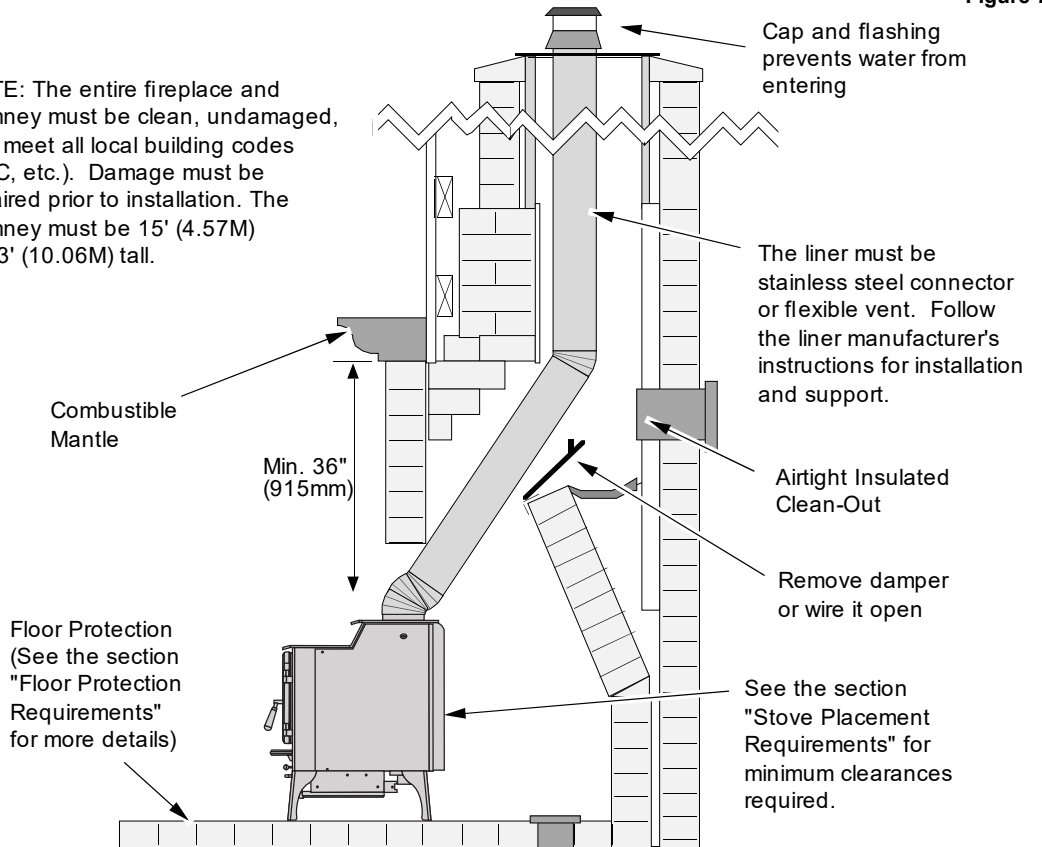


Figure 8

Interior or Exterior Masonry Chimney

NOTE:

This type of installation is not allowed in Canada.

NOTE:

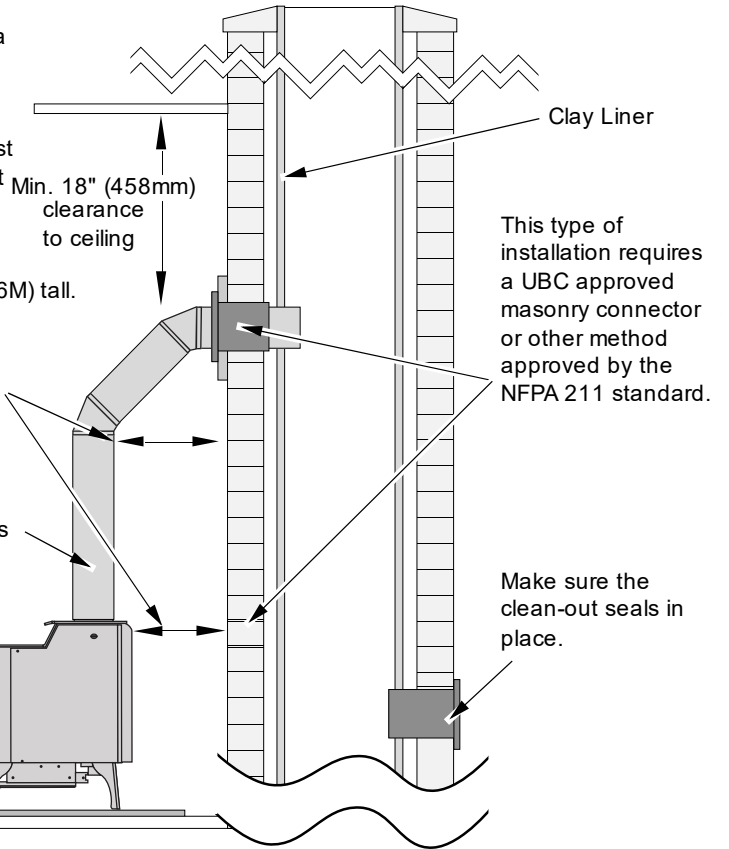
This type of installation requires a UBC approved masonry connector or a factory built (U.L. Listed) wall thimble.

NOTE: The chimney must have a clay tile liner. If it does not, the installation must use a positive connection (full reline). The entire fireplace and chimney must be clean, undamaged, and meet all local building codes (UBC, etc.). Damage must be repaired prior to installation. The chimney must be 15' (4.57M) to 33' (10.06M) tall.

See the section "Stove Placement Requirements" for minimum clearances required.

Chimney connector sections

See the section "Floor Protection Requirements"



This type of installation requires a UBC approved masonry connector or other method approved by the NFPA 211 standard.

Make sure the clean-out seals in place.

Figure 9

Safety Notice



If this appliance is not properly installed, a house fire may result. For your safety, follow the installation directions. Contact local building or fire officials about restrictions and installation inspection requirements in your area.



Read and follow all of the warnings on pages 4 and 5 of this manual.



Do not operate this stove with the ash pan open. A fire will result.

Before Your First Fire

Verify the Installation

Before starting the stove, verify that the stove is properly installed and all of the requirements in this manual have been followed.



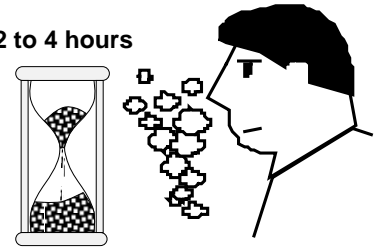
Keep all flammable materials 36" away from the front of the stove (drapes, furniture, clothing, etc.).

Curing the Paint

Follow the steps below to cure the paint (first fire):

- Open doors and windows in the room to ventilate the heater during the curing process.
- Vacate the room. The fumes from the initial heating process are non-toxic but may be unpleasant.
- Slowly bring the heater to a medium burn (400°F/204°C) for 45 minutes. Then increase the burn temperature to a hot burn (600°F/315°C) for an additional 45 minutes. This will cure the paint.

2 to 4 hours



Door Gasket - The door gasket might adhere to the paint on the front of the heater. Leave the door slightly ajar for the first fire and be careful when opening the door after the first fire.

Carbon Monoxide (CO) Emissions

Smoke from wood heaters contain CO. This gas is an indication of incomplete combustion and is detrimental to the environment and to your health. The more visible the smoke, the higher the CO levels. Burning dry wood is the most significant step you can take to reduce CO emissions. It is also important to understand the combustion process so you can burn your heater efficiently. Read the manual thoroughly so that you can operate your heater in the most efficient and clean manner possible.

Over-Firing the Stove

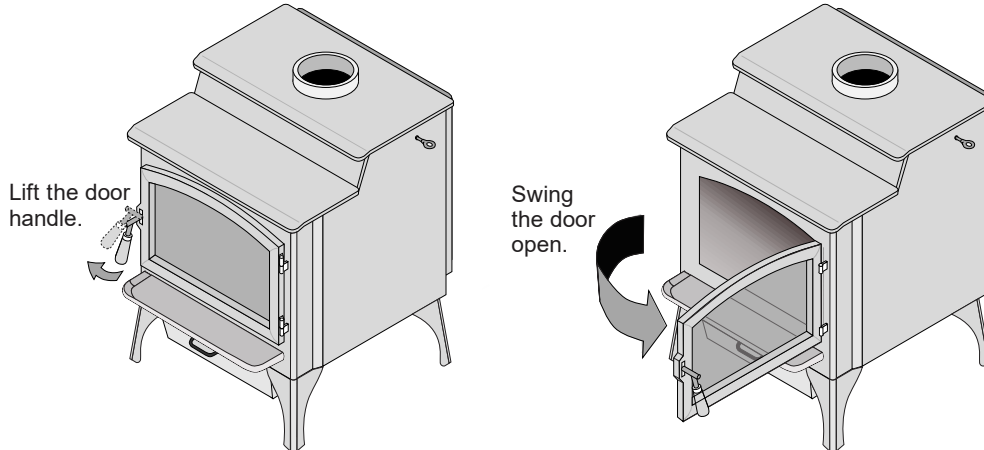
DO NOT OVERFIRE THIS HEATER: Attempts to achieve heat output rates that exceed heater design specifications can result in permanent damage to the heater.

This stove was designed to operate at a high temperature. But due to differences in vent configuration, fuel, and draft, this appliance can be operated at an excessive temperature. If the stove top or other area starts to glow red, you are over-firing the stove. Shut the air control down to low and allow the stove to cool before proceeding.



Over-firing may lead to damage of plated surfaces. If you are uncertain of over-firing conditions, we suggest placing a stove thermometer (e.g. Rutland® Model 710) directly over the door on the stove top - temperatures exceeding 800° are generally considered over-firing and will void the warranty.

Opening the Door



The door becomes hot during use. Use a glove to open the door if the handle is hot.



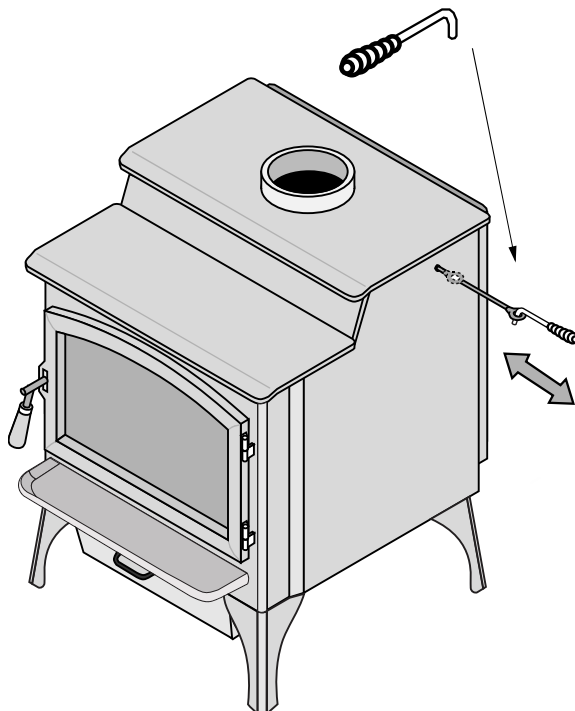
To prevent smoke from entering the room, open the air control before opening the door. You can also open the door a small amount and let air enter the firebox.

Bypass Operation

The bypass controls the flow of smoke inside the heater. When pulled out, smoke goes directly up the flue, creating more draft. When pushed in, the smoke goes around the baffle, utilizing the secondary combustion and making the heater more efficient.

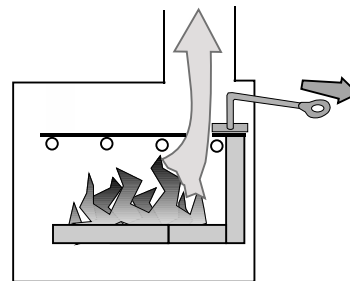
- When starting or re-loading, pull the bypass out.
- During normal operation, push the bypass in.

Use the included pull tool to operate the bypass rod



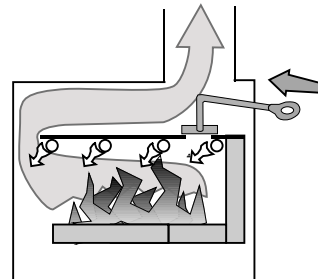
Bypass Pulled Out

Used for starting and re-loading



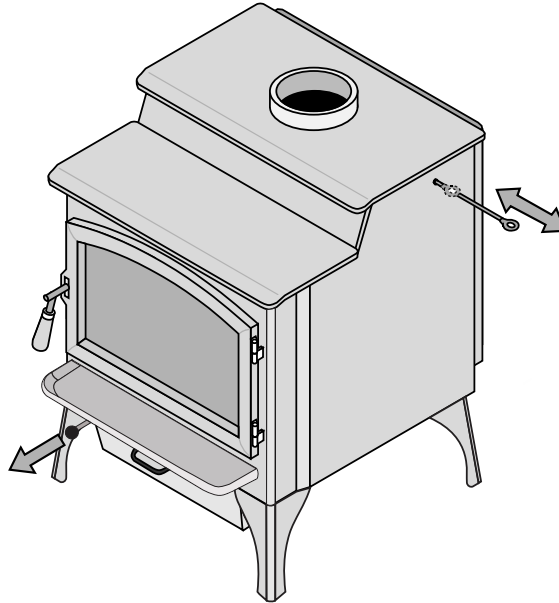
Bypass Pushed In

Used for normal operation



Before Starting a Fire

- Make sure the air control is pulled out. If additional air is needed, open the door 1/4" during the first five minutes of start-up.



Do not open the ash pan when the stove is lit. Fire will result.



Never use gasoline, gasoline-type lantern fuel, kerosene, charcoal lighter fluid, or similar liquids to start or "freshen up" a fire in this stove. Keep all such liquids well away from the stove while it is in use.



DO NOT USE CHEMICALS OR FLUIDS TO START THE FIRE. DO NOT BURN GARBAGE OR FLAMMABLE FLUIDS SUCH AS GASOLINE, NAPHTHA OR ENGINE OIL. Do not place such fuel within space heater installation clearances or within the space required for charging and ash removal.



If using a firestarter, use only products specifically designed for stoves - follow the manufacturer's instructions carefully.



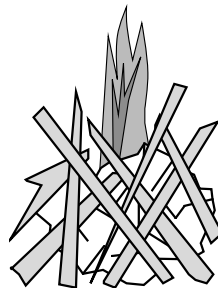
HOT WHILE IN OPERATION. KEEP CHILDREN, CLOTHING AND FURNITURE AWAY. CONTACT MAY CAUSE SKIN BURNS.



If the smoke does not pass up the chimney, ball up one sheet of newspaper, place it in the center of the firebox and light it. This should start the chimney drafting (this eliminates "cold air blockage").

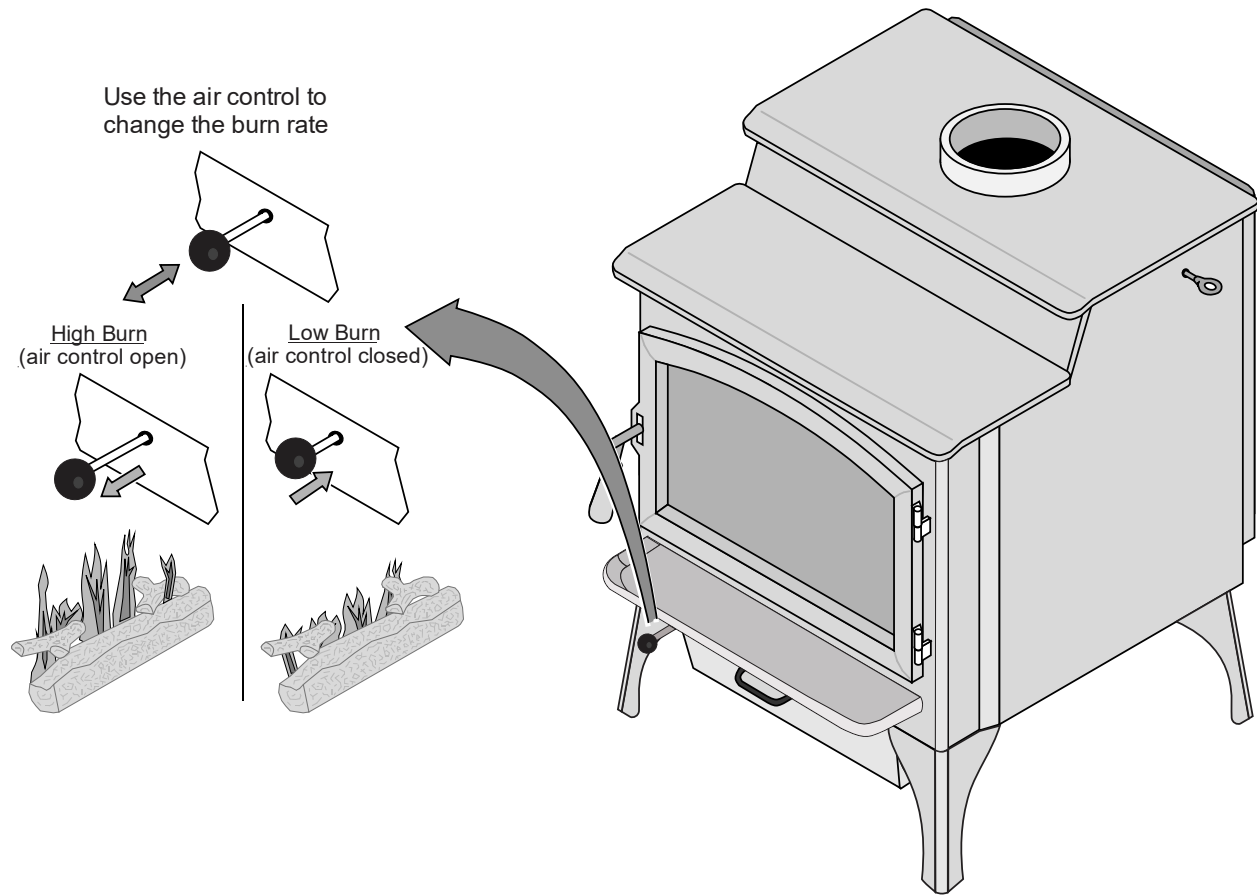


Use plenty of kindling to ensure the stove reaches a proper temperature. Once the kindling is burning rapidly, place a few larger pieces of wood onto the fire.



Adjusting the Burn Rate

Use the air control slider to control the burn rate of the stove. See the illustration below for details.



Approximate Air Control Settings

Overnight Burn	Fully in to 6.35mm open
Medium Burn	6.35mm to fully open
High Burn	Fully open (pulled out)



The air control becomes hot during operation - use gloves or a tool to prevent burns.



The air control may take several minutes to influence the burn rate. When making adjustments, you may wish to let the stove burn for 10 minutes to gauge performance.

Understanding Your Heater's Combustion System

This heater uses a dual combustion system detailed below:

Primary Combustion: This is the combustion (fire) that takes place directly on the wood. Primary combustion determines how fast the fire burns. Air for primary combustion is supplied through the air control. When you adjust the air control you control the amount of air that reaches the fire and creates primary combustion. The air control supplies air to the air wash (the air holes above the door opening – used to help clean the glass) and through the pilot orifice (center bottom of the door opening). By using the air control, and supplying air through these two openings, you control primary combustion.

Secondary Combustion: This is the combustion (fire) that does not contact the wood. Secondary combustion burns the visible emissions or smoke that is not consumed during primary combustion. During some phases of combustion you will see secondary combustion. It appears as a glowing flame at the top of the firebox. Air for secondary combustion is supplied by the air tubes at the top of the firebox.

Items to Consider:

- During medium and high burn rates the stove will manage secondary and primary combustion on its own. When the heater is set to a low burn rate more care is needed to ensure the secondary combustion system works properly. Make sure the stove is hot and a good coal bed is established before adjusting your heater to low burn.
- Understanding the combustion system in this heater will help minimize the visible emissions this heater releases into the environment. The primary pilot orifice at the center bottom of the door opening is designed to help the secondary combustion at low burn settings. The pilot provides a small amount of air that burns up through the fuel load providing the heat and flame needed for the secondary system to ignite. The air tubes under the baffle need to remain ignited for low burns to be effective.
- As you load your heater for a low burn, take care in placing the wood. This will affect how well your secondary system works as the wood is consumed. Do not block the pilot orifice. Stack wood so the pilot air can burn its way up between the pieces, helping your heater burn effectively throughout the low fire. This will reduce the visible emissions your heater produces and increase the amount of heat you get from the wood. If you are unsure how well your heater is burning look at the chimney cap to monitor visible emissions.

Burning Your Heater

Starting a Fire: There are many ways to start a fire and you will become adept as you become familiar with the way your heater burns. Before you start, make sure your burn rate setting (air control) is all the way open and the by-pass (if equipped) is open. Starting a wood appliance can produce a lot of smoke. To reduce the smoke when starting your fire the top down method described here was found to have the cleanest starts. Stack four or five layers of medium sized kindling 1 to 2" in diameter in a tic tac toe pattern, three to four pieces per layer with about ½" (12.7mm) to 1" (25.4mm) spacing. On top of your kindling stack place crumpled newspaper and a nest of pencil sized kindling. Light the paper and small kindling on top and let it burn down through your layers of kindling. With this method you should be able to close the door about two to three minutes after lighting, if the fire starts to die out reopen the door and leave it cracked until the fire takes off. Never leave your heater unattended if the door is not latched shut. Three to five minutes after closing the door you should be able to shut the by-pass, again if the fire starts to die out open the bypass until the fire is established and stays lit. Reload the unit with regular cord wood when the kindling pile has burned about three quarters of the way through. Put enough wood in to establish a good coal bed, five to seven pieces. The presence of a hot coal bed is critical to good combustion. We cannot overstate the importance of a hot coal bed before slowing your burn rate down. We recommend burning this first full load of cord wood completely through at the high burn rate to get your heater up to temperature and to establish a coal bed before reloading and slowing the burn rate.

Reloading: When reloading a hot heater set the burn rate on high for at least 15 min before slowing it down.

Low Burn: If preparing for an overnight or low burn a longer heat up period may be necessary. Reload the heater full of wood making sure there are air gaps between the wood pieces so the pilot air can burn up through the middle load keeping the secondary combustion system hot and active throughout the burn. After loading, burn the heater on high for at least 15 minutes before setting the air control to low. Excessive creosote buildup (or sooting) in the heater at the end of a low burn signifies that the heater was not hot enough and the wood load was not burned long enough on high after loading before shutting down the air control.

Ash Removal



Let the stove cool completely before removing ashes (wait at least two hours after the last coal has extinguished). Ashes should be placed in a metal container with a tight-fitting lid. The closed container of ashes should be placed on a noncombustible floor or on the ground, away from all combustible materials, pending final disposal. The ashes should be retained in the closed container until all cinders have thoroughly cooled.

Ash Pan Removal



Do not operate this stove with the ash pan open. A fire hazard will result.



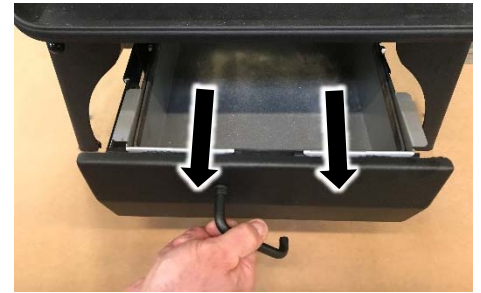
The ash pan must be properly inserted and fully closed during operation. Failure to fully close and seal the ash pan may lead to an over-fired stove, negating the warranty and creating a safety hazard.



The ash pan may be removed only after the stove has fully cooled.

To remove the ash pan:

1. Twist the ash pan handle down and pull out the ash pan.



2. Lift out the ash pan by the edges and use the handle to transport the ash pan to the metal container.



Optional Blower Operation

The blower will turn on once the stove is up to temperature. This is typically 15 to 30 minutes after starting the fire. Follow the directions below to alter the blower speed.

OFF

Turn the dial all the way counter-clockwise until it clicks off



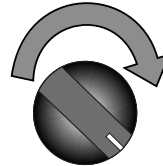
HIGH

The high position is all the way counter-clockwise, **without** clicking off



LOW

Turn the dial all the way clockwise.



The blower may be used to affect heat output (i.e.: to reduce heat output, turn the blower down).



Route the power cord in a location where it will not come in contact with the appliance or become hot.

Re-Loading the Stove

Follow the directions below to minimize smoke spillage while re-loading the stove.

- 1 Open the air control all the way (pull out).
- 2 Open the door slightly. Let the airflow inside the firebox to stabilize before opening the doors fully.
- 3 Load wood onto the fire.

Overnight Burn

This stove is large enough to accommodate burn times up to ten hours. Follow the steps below to achieve an overnight burn.

- 1 Move the air control to high burn and let the stove become hot (burn for approximately 15 minutes).
- 2 Load as much wood as possible. Use large pieces if possible.
- 3 Let the stove burn on high for 15 minutes to keep the stove hot, and then turn the air control to low.
- 4 In the morning, the stove should still be hot, with embers in the coal bed. Stir the coals and load small pieces of wood to re-ignite the fire, if desired.



Differences in chimney height and draft may lower overall burn times.

Normal Operating Sounds

Creaks and Clicks

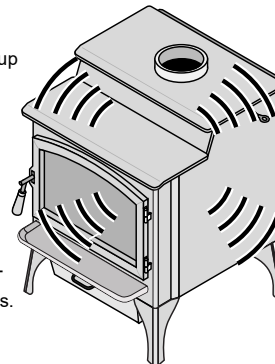
The steel may creak or click when the stove heats up and cools down - this is normal.

Blower Sounds:

The blower will make a slight "hum" as it pushes air through the stove.

Hint:

Make sure the leveling bolts on legs are extended - preventing the hearth from amplifying any vibrations.



Hints for Burning

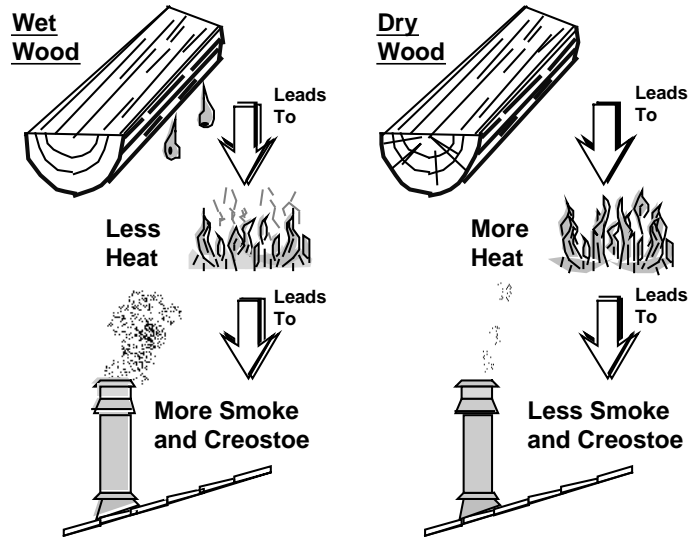
- Get the appliance hot before adjusting to low burn
- Use smaller pieces of wood during start-up and high burns to increase temperature
- Use larger pieces of wood for overnight or sustained burns
- Stack the wood tightly together to establish a longer burn
- Be considerate of neighbors & the environment: burn dry wood only
- Burn small, intense fires instead of large, slow burning fires when possible
- Learn your appliance's operating characteristics to obtain optimum performance

Selecting Wood



Burn only untreated wood. Burning other materials such as wood preservatives, metal foils, coal, plastic, sulfur, or oil may damage the stove.

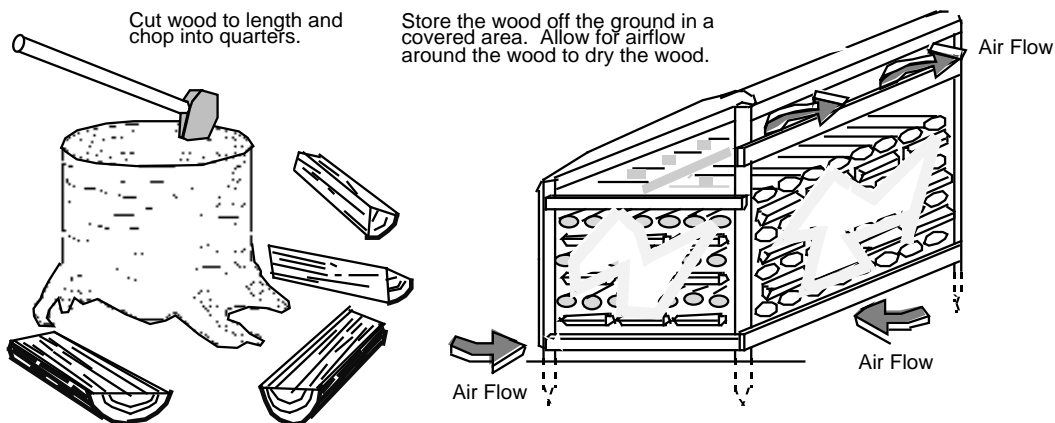
- Dry Wood is Key – 15-20% moisture content
- Dry wood burns hot, emits less smoke and creates less creosote.
- Split wood stored in a dry area will be fully dry within a year. This insures dry wood. If purchasing wood for immediate use, test the wood with a moisture meter. Some experienced wood burners can measure wood moisture by knocking pieces together and listening for a clear "knock" and not a "thud".
- Testing Wood Moisture – Split a piece of wood down the middle and test the center using a wood moisture meter.



Why Dry Wood is Key

When burned wet wood must release water stored within the wood. This cools the fire, creates creosote, and hampers a complete burn. Ask any experienced wood burner and he or she will agree: dry wood is crucial to good performance.

Wood Cutting and Storage



Do Not Burn List

This heater is designed to burn natural wood only. Higher efficiencies and lower emissions generally result when burning air dried seasoned hardwoods, as compared to softwoods or to green or freshly cut hardwoods. **DO NOT BURN:**

- (1) Garbage;
- (2) Lawn clippings or yard waste;
- (3) Materials containing rubber, including tires;
- (4) Materials containing plastic;
- (5) Waste petroleum products, paints or paint thinners, or asphalt products;
- (6) Materials containing asbestos;
- (7) Construction or demolition debris;
- (8) Railroad ties or pressure-treated wood;
- (9) Manure or animal remains;
- (10) Salt water driftwood or other previously salt water saturated materials;
- (11) Unseasoned wood; or
- (12) Paper products, cardboard, plywood, or particleboard. The prohibition against burning these materials does not prohibit the use of fire starters made from paper, cardboard, saw dust, wax and similar substances for the purpose of starting a fire in an affected wood heater.

Burning these materials may result in release of toxic fumes or render the heater ineffective and cause smoke.

Troubleshooting

Problem	Possible Cause
Smoke Enters Room During Start-Up	<ul style="list-style-type: none"> • Open the bypass (pg. 17). • Open the air control (pg. 19). • Cold Air Blockage - burn a piece of newspaper to establish a draft. • If the flame is not getting enough air, a small crack in the door is all that is needed.
Kindling Does Not Start - Fire Smolders	<ul style="list-style-type: none"> • Open the bypass (pg. 17). • Open the air control (pg. 19). • Not enough starter paper - use additional newspaper if necessary. • If the flame is not getting enough air, a small crack in the door is all that is needed.
Smoke Enters Room While Re-Loading	<ul style="list-style-type: none"> • Open the bypass (pg. 17). • Open the air control before opening the door (pg. 19). • Let the air stabilize before fully opening the door. Then open the door approximately 1 inch. Let air go into the firebox for a few seconds. Once the smoke appears to be flowing up the chimney consistently, open the door. • Insufficient Draft - Chimney height and outside conditions can negatively affect draft. In these cases a small amount of smoke may enter the home. Adding more piping or a draft-inducing cap may help.
Stove Does Not Burn Hot Enough	<ul style="list-style-type: none"> • Wood is Wet - see the section "Selecting Wood" on page 23 for details on wood. • Make sure the air control is all the way open. Slide the control back and forth to insure the control is not stuck. • Insufficient Draft - Chimney height and outside conditions can negatively affect draft. In these cases the fire may burn slowly. Adding more piping or a draft-inducing cap may help.
Blower Does Not Run	<ul style="list-style-type: none"> • Stove is Not Up to Temperature - This is normal. The blower will come on when the stove is hot - usually 15 to 30 minutes. • Electricity is Cut to the Blower - Check the household breaker or fuse to make sure it is operable.
Stove Does Not Burn Long Enough	<ul style="list-style-type: none"> • Depending upon wood, draft, and other factors, the burn time may be shorter than stated. Make sure the doors are sealing and not allowing air into the firebox - See the section "Door and Glass Inspection" on page 27 for details. • Check the ash bed for coals. Often, coals are still glowing under a slight bed of fly ash. By raking these into a pile you can re-start your stove quickly. • Check ashpan seal, drawer must close tight and gasket must seal



Failure to properly maintain and inspect your appliance may reduce the performance and life of the appliance, void your warranty, and create a fire hazard. Use only specified components. Use of unauthorized components may result in property damage, injury, or even death.



Establish a routine for the fuel, wood burner and firing technique. Check daily for creosote build-up until experience shows how often you need to clean to be safe. Be aware that the hotter the fire the less creosote is deposited, and weekly cleaning may be necessary in mild weather even though monthly cleaning may be enough in the coldest months. Contact your local municipal or provincial fire authority for information on how to handle a chimney fire. Have a clearly understood plan to handle a chimney fire.

Daily Maintenance (while stove is in use)

Remove Ash (if necessary)

- Remove ash as it builds up in the ash pan. Do not let it build up above the grate in the firebox. This will prevent ash from falling in the tray below when the ash pan is removed.
 - Let the stove cool completely (at least two hours after the last coal has extinguished).
 - Place a cloth or cardboard protector over the hearth to catch ash and protect against scratching.
 - Open the door and scoop the ash into a metal container with a tight fitting lid. The closed container of ashes should be placed on a noncombustible floor or on the ground, away from all combustible materials, pending final disposal.



Improperly disposed ashes lead to fires. Hot ashes placed in cardboard boxes, dumped in back yards, or stored in garages, are recipes for disaster.



Wood-burning stoves are inherently dirty. During cleaning have a vacuum ready to catch spilled ash (make sure ash is entirely extinguished).



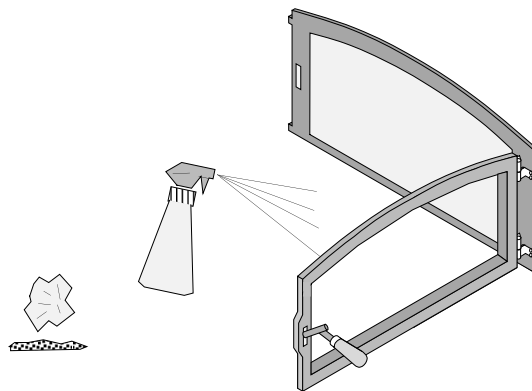
There are vacuum cleaners specifically made to remove ash (even if the ash is warm). Contact your dealer for details.

Clean the Glass (if necessary)

This appliance has an air wash to keep the glass clean. However, burning un-seasoned wood or burning on lower burn rates leads to dirtier glass (especially on the sides). Clean the glass by following the directions below. Do not clean glass with abrasive cleaners.

- Allow the stove to fully cool.
- Apply glass cleaner or soapy water to the inside of the glass.
- Wipe with newspaper or a paper towel.

NOTE: for stubborn Creosote, dip newspaper or a paper towel in cool ashes and wipe it on the glass. The ash acts as a light abrasive.



The glass will develop a very slight haze over time. This is normal and will not affect viewing of the fire.

Monthly Maintenance (while appliance is in use)



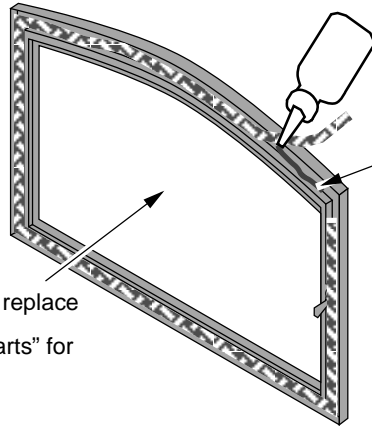
Make sure the appliance has fully cooled prior to conducting service.

Door and Glass Inspection

The door must form an air-tight seal to the firebox for the stove to work correctly. Inspect the door gasket to make sure it forms an air-tight seal to the firebox.

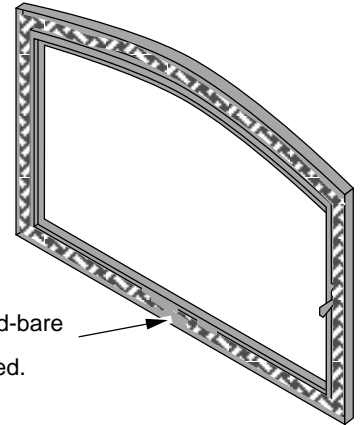
High-Temperature anti-sieze may be used on the door hinges to eliminate squeaks.

If the glass is damaged, replace it - see "Replacement Parts" for details.



Use RTV high temperature 600° silicone to adhere loose gasket.

Severely frayed or thread-bare gasket should be replaced.



The door latch should pull the door against the face of the stove (but not so tight as to not allow full handle rotation). If the latch requires adjustment, follow the directions below.

Door Adjustment

The door latch should hold the door tightly against the stove, while allowing the handle to rotate fully. If the latch requires adjusting, follow the directions below.

Loosen the bottom nut with a 7/16" wrench (see arrow to the right). Tap the bottom nut inwards, moving the door catch inwards. Tighten the nut and test operation. You may need to repeat this process, either moving the nut inwards or outwards, until the door catch is in the correct position.



Door Handle

Creosote - Formation and Need for Removal

When wood is burned slowly, it produces tar and other organic vapors, which combine with expelled moisture to form creosote. The creosote vapors condense in the relatively cool chimney flue of a slow-burning fire. As a result, creosote residue accumulates on the flue lining. When ignited, this creosote makes an extremely hot fire. The chimney and chimney connector should be inspected at least once every two months during the heating season to determine if a creosote buildup has occurred. If creosote has accumulated, it should be removed to reduce the risk of a chimney fire.



If you are not certain of creosote inspection, contact your dealer or local chimney sweep for a full inspection. Excess creosote buildup may cause a chimney fire that may result in property damage, injury, or death.

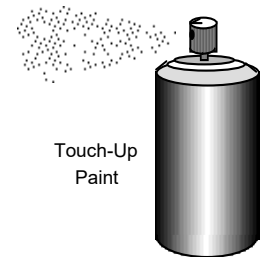
Yearly Maintenance



Make sure the appliance has fully cooled prior to conducting service.

Touch-Up Paint

Included with the owner's pack of this appliance is a can of Stove-Brite® paint. To touch up nicks or dulled paint, apply the paint while the appliance is cool. Sand rusted or damaged areas before preparation (use 120-grit sandpaper). Clean and dry the area to prepare the surface. Wait at least one hour before starting the appliance. The touched up area will appear darker than the surrounding paint until it cures from heat. Curing will give off some fumes while curing – open windows to ventilate.



Firebrick and Baffle Inspection

Use the illustration on page 30 as a reference for checking the following items. Make sure the appliance is cool before proceeding.

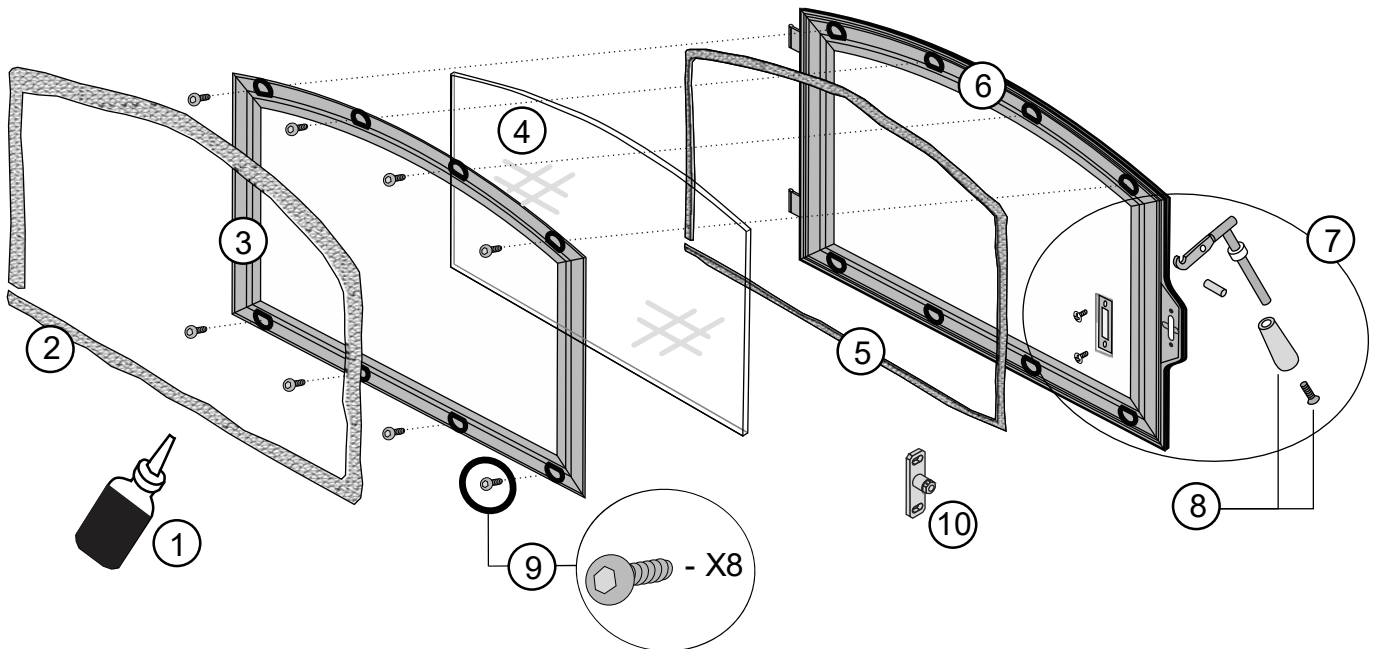
Baffle - check the baffle board and ceramic fiber blanket along the ceiling of the firebox to make sure they are intact and have cracks or missing pieces.

Baffle Supports - make sure the front and back baffle supports in are place and not degraded. Slight scaling or rusting of the metal is normal.

Secondary Air Tubes - Check the air tubes, clips and bolts are intact and not severely deteriorated. Slight scaling or rusting of the metal is normal.

Floor and Wall Firebricks - replace any severely damaged firebrick along the side or floor of the firebox.

Door Parts



ID #	Description	Qty	Part #
1	Gasket Cement	1	250-04477
3	Glass Retainer	1	250-05112
5	Glass Gasket	1	99900405
7	Door Handle Assembly	1	250-03606
9	Glass Retainer Screws	8	250-03656

ID #	Description	Qty	Part #
2	Door Gasket	1	250-02832
4	Door Glass	1	250-05113
6	Door Shell	1	250-05114
8	Door Handle (Wood) & Screw	1	250-01305
10	Door Latch Bracket	1	250-05115

Replacing the Glass



The glass must not contact the door shell or retainer directly. The glass gasket wraps around the edge of the glass and isolates it from the metal surfaces to prevent cracking. Do not over-tighten the glass retainer screws.

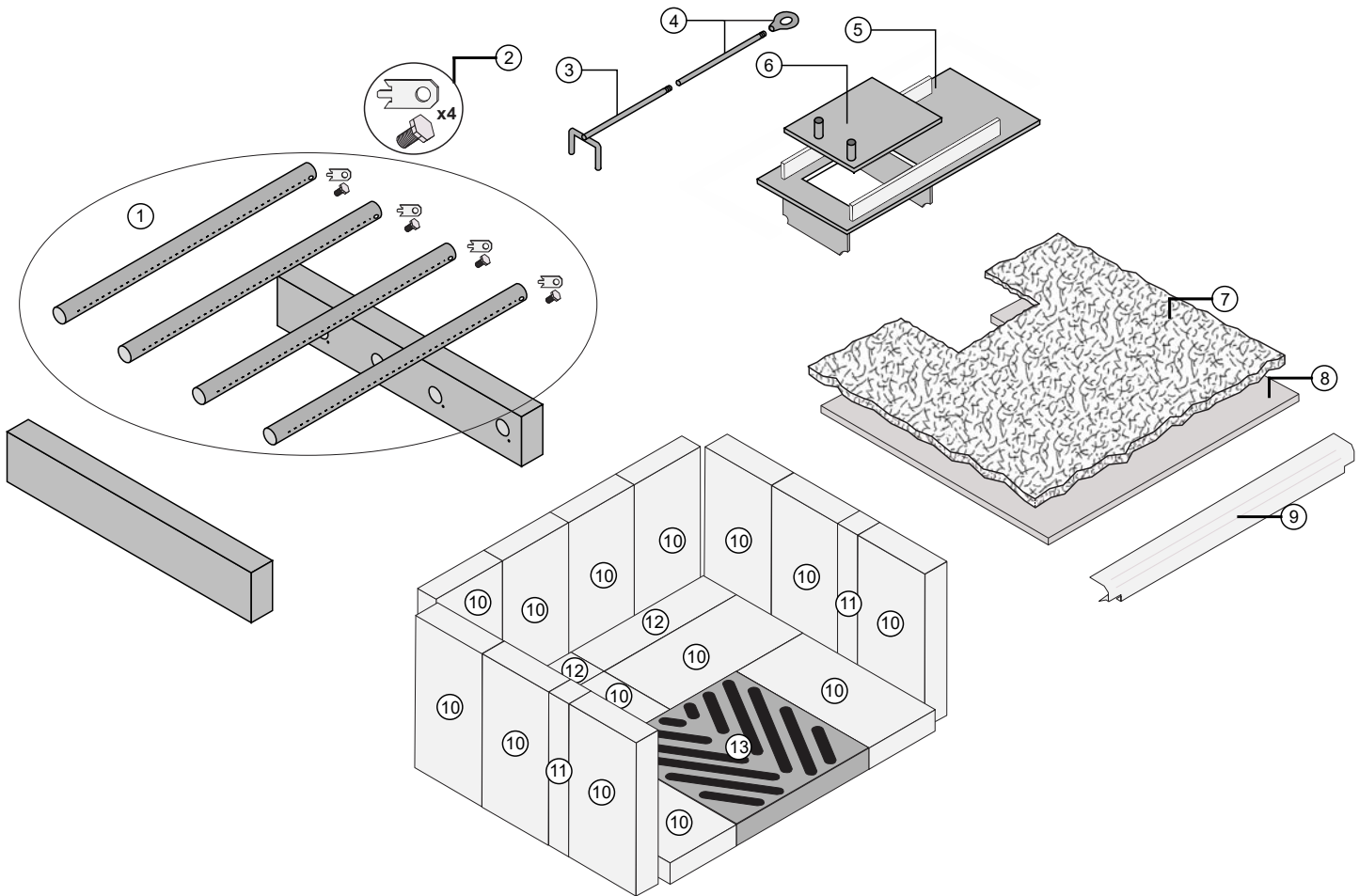
Replacing the Door Gasket

The door gasket inserts into the outer groove of the door retainer. Stove gasket cement holds it in place. Before installing, remove any residual cement. Lay the gasket in place (start at the lower left corner) and cut off any excess gasket (do not stretch the gasket. The cement fully cures with heat from the stove. You may need to open and close the door repeatedly to get the gasket to seat fully.

Replacing the Door Handle

See the illustration above for a component list (see pg. 27 for details on adjusting the door).

Firebox Parts



ID #	Description	Qty	Part #
1	Air Tube Kit w/ Clips and Bolts	1	98900253
2	Air Tube Clips and Bolts	4	250-02186
3	Damper Yoke	1	250-05133
4	Damper Rod & Pull Ring	1	98900332
5	Damper Plate	1	250-05131
6	Damper Slide Plate	1	250-05132
7	Ceramic Fiber Blanket	1	250-05128

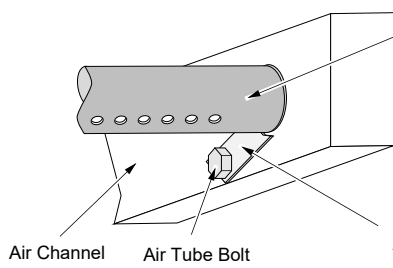
ID #	Description	Qty	Part #
8	Baffle Board	1	250-05129
9	Baffle Cap	1	250-05130
10	Brick-whole 9"x4-1/2"x1-1/4"	14	251-00000
11	Brick-Cut 9"x1-3/8"x1-1/4"	2	251-00018
12	Brick-Cut 9"x2-1/4"x1-1/4"	2	251-00001
13	Ash Drawer Grate	1	250-05134

Floor and Side Firebrick Removal & Replacement

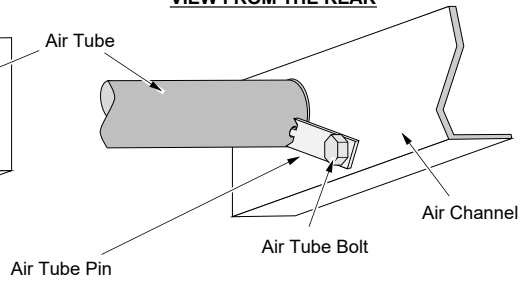
Do not pry firebrick - they chip and crack easily. Remove the floor firebricks first. The side firebricks are removed later because they are pinned in place by the floor firebrick. Clean the firebox prior to replacing the firebrick.

Air Tube Removal & Replacement

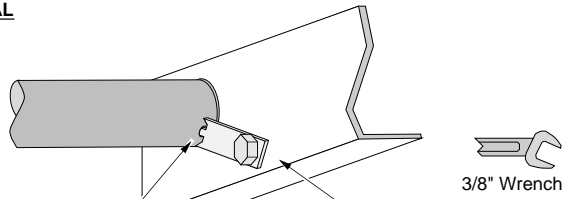
VIEW FROM THE FRONT



VIEW FROM THE REAR

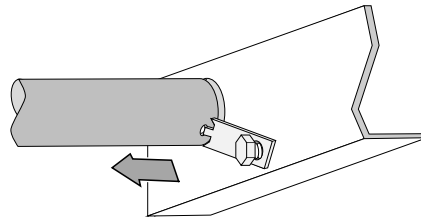


AIR TUBE REMOVAL

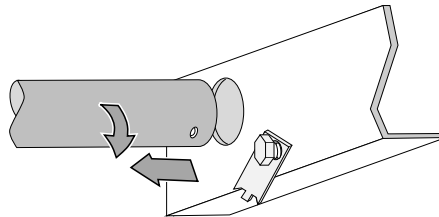


Note how the center of the air tube pin inserts into a hole on the air tube.

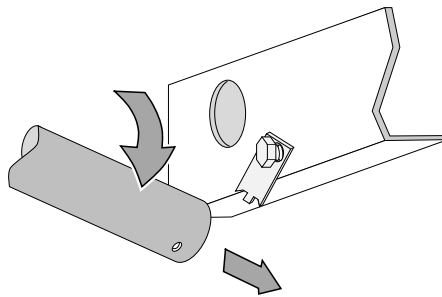
Loosen this bolt 2 or 3 turns (do not remove).



With the bolt loosened the air tube can be slid out of the air channel.



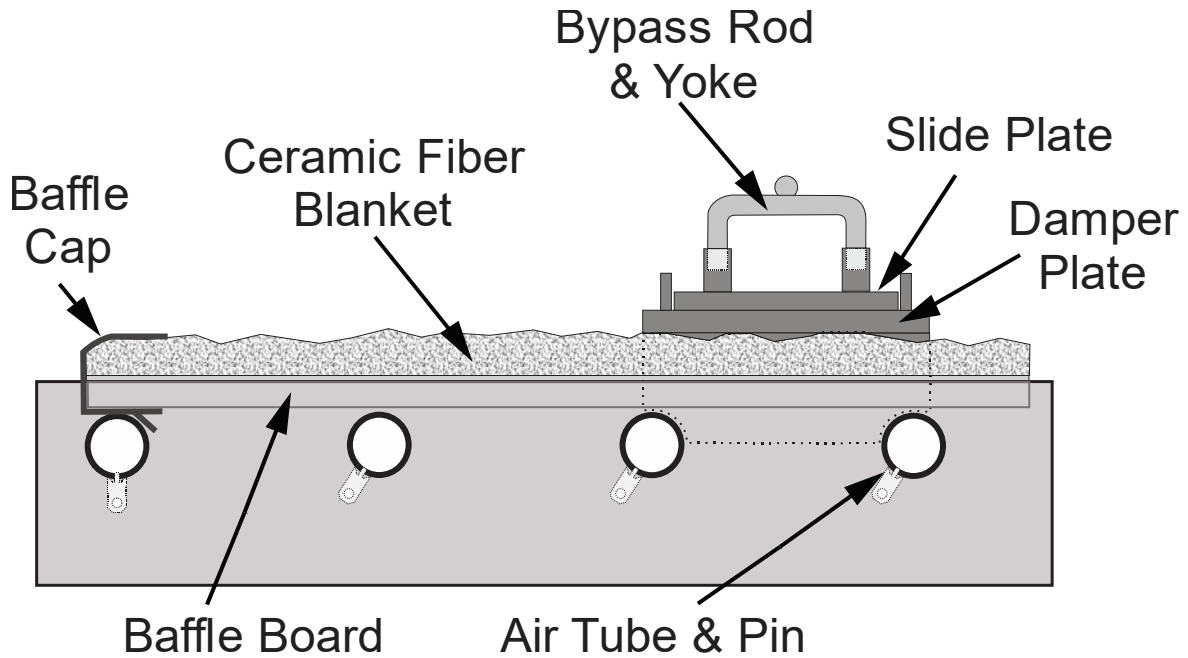
The pin will then disengage from the air tube (you may wish to rotate the tube slightly).



Pivot the air tube downwards and slide it out of the air channel on the opposite side.

Baffle Removal & Replacement

NOTE: The baffle rests on the top of the air tubes. Make sure to support the baffle while removing the tubes.

**Removal**

- 1 Open the bypass by pulling the rod out.
- 2 Use a 3/8" wrench or nut driver to remove the bolt that secures the front air tube pin to the manifold. Keep the bolt and air tube pin for reinstallation.



- 3 Push up on the baffle slightly and slide the front air tube to the left until the end is clear of the manifold. Lower the right end of the tube and maneuver left end of the tube out of the manifold on the left side of the firebox.



- 4 Remove the baffle cap.



- 5 Repeat steps 1-3 for the third air tube.



- 6 Remove the second air tube in the same manner.

NOTE: Once the second tube is removed, the front edge of the baffle is unsupported. Make sure to support it with your hand through the remainder of the removal process.



- 7 Gently slide the baffle board and blanket forward until it is free of the rear air tube. Lower the front edge of the baffle and fold the edges of the blanket inward.



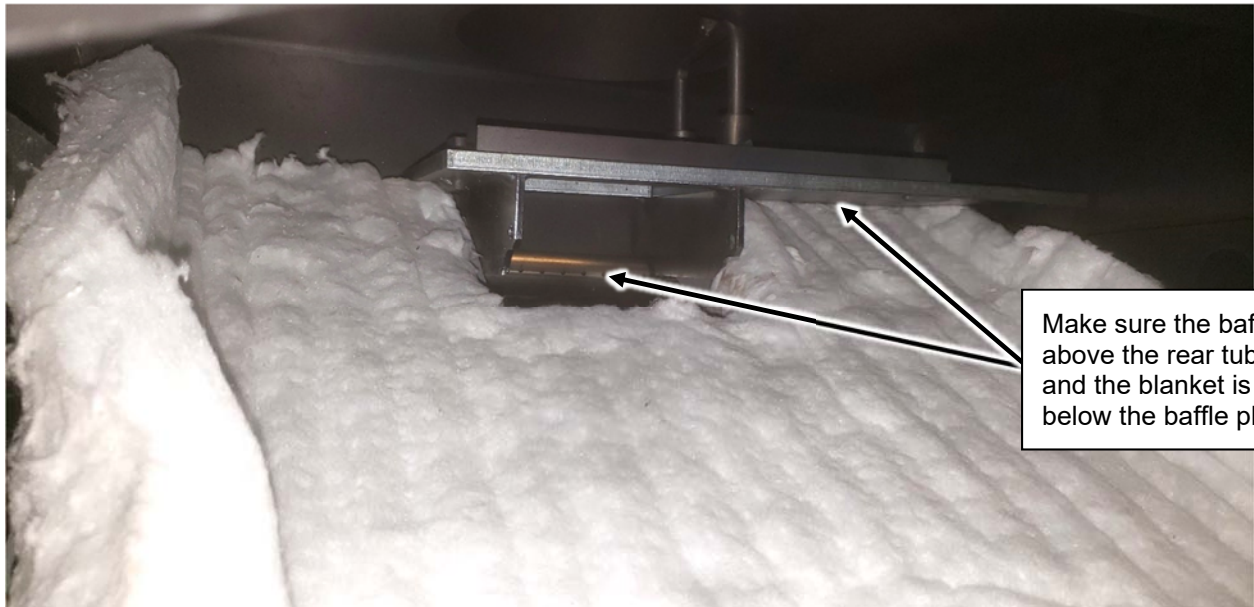
- 8 Tilt the baffle and blanket to allow them to pass through the door opening and remove them from the firebox.



Replacement

Reverse the steps above to replace the baffle.

NOTE: Make sure that the fiber blanket is underneath the damper plate in the rear of the firebox when reassembling.



Register your TRAVIS INDUSTRIES, INC. Limited 7 Year Warranty online at traviswarranty.com. TRAVIS INDUSTRIES, INC. warrants this appliance (appliance is defined as the equipment manufactured by Travis Industries, Inc.) to be defect-free in material and workmanship to the original purchaser from the date of purchase as follows:

**Check with your dealer in advance for any costs to you when arranging a warranty call.
Mileage or service charges are not covered by this warranty. This charge can vary from store to store.**

Years 1 & 2 - COVERAGE: PARTS & LABOR

Firebox Assembly:

Firebox, Baffle Supports, Air Tubes, Air Channels, Convection Chamber

Door Assembly:

Solid Brass or Cast Door, Latch Assembly, Glass Retainers

Plated Finish

Plated Door, Legs, etc. See "Conditions & Exclusions" # 9 below.

Ceramic Glass:

Glass (breakage from thermal shock)

Firebrick:

Breakage from thermal shock

Accessories:

Legs, Pedestal, Panels, Blower

Air Control Assembly:

Slider Plate, Pressure Plate

Re-Installation Allowance:

In cases where heater must be removed from home for repairs, a partial cost of re-installation is covered (pre-authorization required)

One-Way Freight Allowance:

One-way freight allowance on pre-authorized repair done at factory is covered.

Exclusions: Paint, Gasketing

Years 3 Through 5 - COVERAGE: PARTS & LABOR

Firebox Assembly:

Firebox, Baffle Supports, Air Tubes, Air Channels, Convection Chamber

Air Control Assembly

Slider Plate, Pressure Plate

Door Assembly:

Solid Brass or Cast Door, Latch Assembly, Glass Retainers

One-Way Freight Allowance

One-way freight allowance on pre-authorized repair done at factory is covered.

Exclusions: Paint, Gasketing, Plated Finish, Accessories (Legs, Pedestal, Panels, Blower), Glass, Firebrick, Re-Installation Allowance

Years 6 & 7 - COVERAGE: PARTS ONLY

Firebox Assembly:

Firebox, Baffle Supports, Air Tubes, Air Channels, Convection Chamber

Door Assembly:

Solid Brass or Cast Door, Latch Assembly, Glass Retainers

Air Control Assembly

Slider Plate, Pressure Plate

Exclusions: Paint, Gasketing, Plated Finish, Accessories (Legs, Pedestal, Panels, Blower), Glass, Firebrick, Re-Installation Allowance, One-Way Freight Allowance, Labor

CONDITIONS & EXCLUSIONS

- This new appliance must be installed by a qualified installer. It must be installed, operated, and maintained at all times in accordance with the instructions in the Owner's Manual. Any alteration, willful abuse, accident, neglect, or misuse of the product shall nullify this warranty.
- This warranty is nontransferable, and is made to the ORIGINAL purchaser, provided that the purchase was made through an authorized Travis dealer.
- Discoloration and some minor expansion, contraction, or movement of certain parts and resulting noise, is normal and not a defect and, therefore, not covered under warranty. Over-firing (operation where the steel may glow red) of this appliance can cause serious damage and will nullify this warranty.
- The warranty, as outlined within this document, does not apply to the chimney components or other Non-Travis accessories used in conjunction with the installation of this product. If in doubt as to the extent of this warranty, contact your authorized Travis retailer before installation.
- Travis Industries will not be responsible for inadequate performance caused by environmental conditions such as nearby trees, buildings, roof tops, wind, hills or mountains or negative pressure or other influences from mechanical systems such as furnaces, fans, clothes dryers, etc.
- This Warranty is void if:
 - The unit has been operated in atmospheres contaminated by chlorine, fluorine or other damaging chemicals.
 - The unit is subject to submersion in water or prolonged periods of dampness or condensation.
 - Any damage to the unit, combustion chamber, heat exchanger or other components due to water, or weather damage which is the result of, but not limited to, improper chimney/venting installation.
- Exclusions to this 7 Year Warranty include: injury, loss of use, damage, failure to function due to accident, negligence, misuse, improper installation, alteration or adjustment of the manufacturer's settings of components, lack of proper and regular maintenance, damage incurred while the appliance is in transit, alteration, or act of God.
- This 7 Year warranty excludes damage caused by normal wear and tear, such as paint discoloration or chipping, worn or torn gasketing, chipped or cracked firebrick, etc. Also excluded is damage to the unit caused by abuse, improper installation, modification of the unit, or the use of fuel other than that for which the unit is configured (use cord wood only).
- Damage to brass or plated surfaces caused by fingerprints, scratches, melted items, or other external sources left on the surfaces from the use of abrasive cleaners is not covered in this warranty. Damage to the surfaces from over-firing (operation where the steel may glow red) is not covered in this warranty.
- TRAVIS INDUSTRIES, INC. is free of liability for any damages caused by the appliance, as well as inconvenience expenses and materials. Incidental or consequential damages are not covered by this warranty. In some states, the exclusion of incidental or consequential damage may not apply.
- This warranty does not cover any loss or damage incurred by the use or removal of any component or apparatus to or from the Travis appliance without the express written permission of TRAVIS INDUSTRIES, INC. and bearing a TRAVIS INDUSTRIES, INC. label of approval.
- Any statement or representation of Travis products and their performance contained in Travis advertising, packaging literature, or printed material is not part of this 7 year warranty.
- This warranty is automatically voided if the appliance's serial number has been removed or altered in any way. If the appliance is used for commercial purposes, it is excluded from this warranty.
- No dealer, distributor, or similar person has the authority to represent or warrant Travis products beyond the terms contained within this warranty. TRAVIS INDUSTRIES, INC. assumes no liability for such warranties or representations.
- Travis Industries will not cover the cost of the removal or re-installation of hearths, facing, mantels, venting or other components.
- If for any reason any section of this warranty is declared invalid, the balance of the warranty remains in effect and all other clauses shall remain in effect.
- This 7 year warranty is the only warranty supplied by Travis Industries, Inc., the manufacturer of the appliance. All other warranties, whether express or implied, are hereby expressly disclaimed and purchaser's recourse is expressly limited to the warranties set forth herein.

IF WARRANTY SERVICE IS NEEDED:

- If you discover a problem that you believe is covered by this warranty, you MUST REPORT it to your Travis dealer WITHIN 30 DAYS, giving them proof of purchase, the purchase date, and the model name and serial number.
- Travis Industries has the option of either repairing or replacing the defective component.
- If your dealer is unable to repair your appliance's defect, he may process a warranty claim through TRAVIS INDUSTRIES, INC., including the name of the dealership where you purchased the appliance, a copy of your receipt showing the date of the appliance's purchase, and the serial number on your appliance. At that time, you may be asked to ship your appliance, freight charges prepaid, to TRAVIS INDUSTRIES, INC. TRAVIS INDUSTRIES, INC., at its option, will repair or replace, free of charge, your appliance if it is found to be defective in material or workmanship within the time frame stated within this 7 year warranty. TRAVIS INDUSTRIES, INC. will return your appliance, freight charges (years 1 to 5) prepaid by TRAVIS INDUSTRIES, INC., to your regional distributor, or dealership.
- Check with your dealer in advance for any costs to you when arranging a warranty call. Mileage or service charges are not covered by this warranty. This charge can vary from store to store.

Adjusting the Burn Rate	19	Floor Protection Requirements	8
Air Tube Removal & Replacement.....	31	Hearth Stove Positive Connection	14
Ash Pan Removal	21	Heating Specifications	7
Ash Removal	21	Hints for Burning	23
Baffle Removal & Replacement	32	Important Information.....	2
Before Starting a Fire	18	Installation Options	7
Before Your First Fire.....	16	Interior or Exterior Masonry Chimney	15
Bypass Operation.....	17	Introduction	2
Cathedral Ceiling with a Factory Built Chimney	13	Monthly Maintenance.....	27
Chimney Connector Requirements.....	10	Normal Operating Sounds	22
Chimney Requirements.....	11	Opening the Door.....	17
Chimney Termination Requirements	12	Optional Blower Operation.....	22
Clean the Glass.....	26	Outside Air Requirements.....	12
Clearances	9	Over-Firing the Stove.....	16
Creosote - Formation and Need for Removal..	28	Packing List.....	8
Curing the Paint	16	Planning The Installation	8
Daily Maintenance.....	26	Re-Loading the Stove	22
Dimensions	7	Remove Ash	26
Do Not Burn List.....	24	Replacing the Door Gasket.....	29
Door Adjustment	27	Replacing the Door Handle.....	29
Door and Glass Inspection.....	27	Replacing the Glass.....	29
Door Parts	29	Safety Notice.....	16
Emissions, Efficiency and Heat Output.....	7	Selecting Wood.....	23
Exterior Factory Built Chimney	14	Standard Ceiling with a Factory Built Chimney	13
Features	7	Stove Placement Requirements	8
Firebox Parts.....	30	Touch-Up Paint	28
Firebrick and Baffle Inspection.....	28	Troubleshooting	25
Floor and Side Firebrick Removal & Replacement	30	Why Dry Wood is Key	23
		Wood Cutting and Storage	23
		Yearly Maintenance	28