

# Flush Wood Plus Face Installation Instructions

Rectangular Insert: Shadowbox Black 95600654, Shadowbox Bronze 95600657, Times Square 95600658

## Facing

**NOTE:** Do not build facing (tile, brick) up to the faceplate. A gap is required to allow for air to circulate.

## Packing List

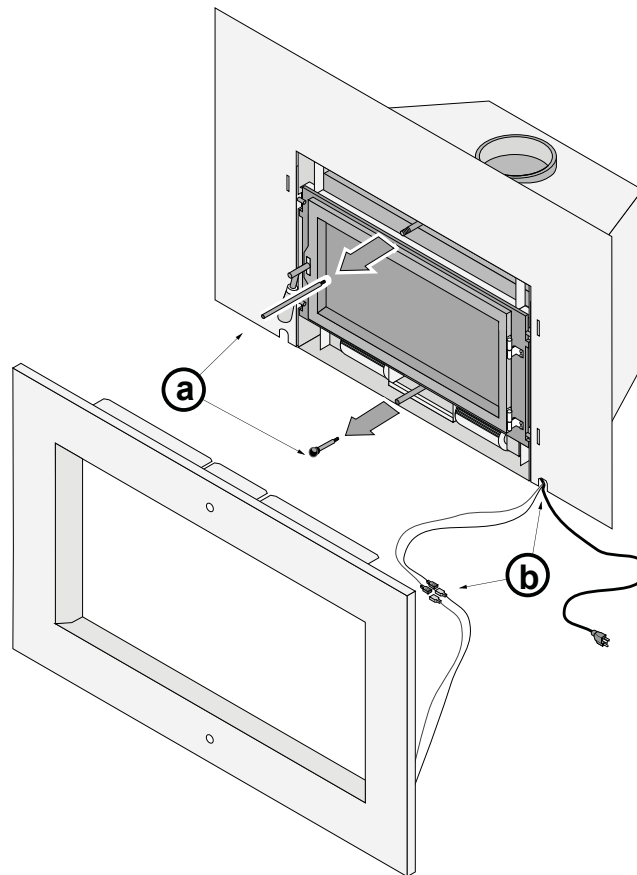
- Face
- Extension Rod(s)  
Arched & Artisan use 1, all else use 2.
- Bypass Rod Handle

## Sizing

Height	Width
563mm high	907mm wide

## Installation

1. Before installing the face, make sure the insert is in place, attached to the flue, and the surround panel is in place. Remove the bypass and air control rods (see "A" to the right).
2. Connect the rheostat wires and make sure the power cord is routed through the hole in the surround panel (see "B" to the right).





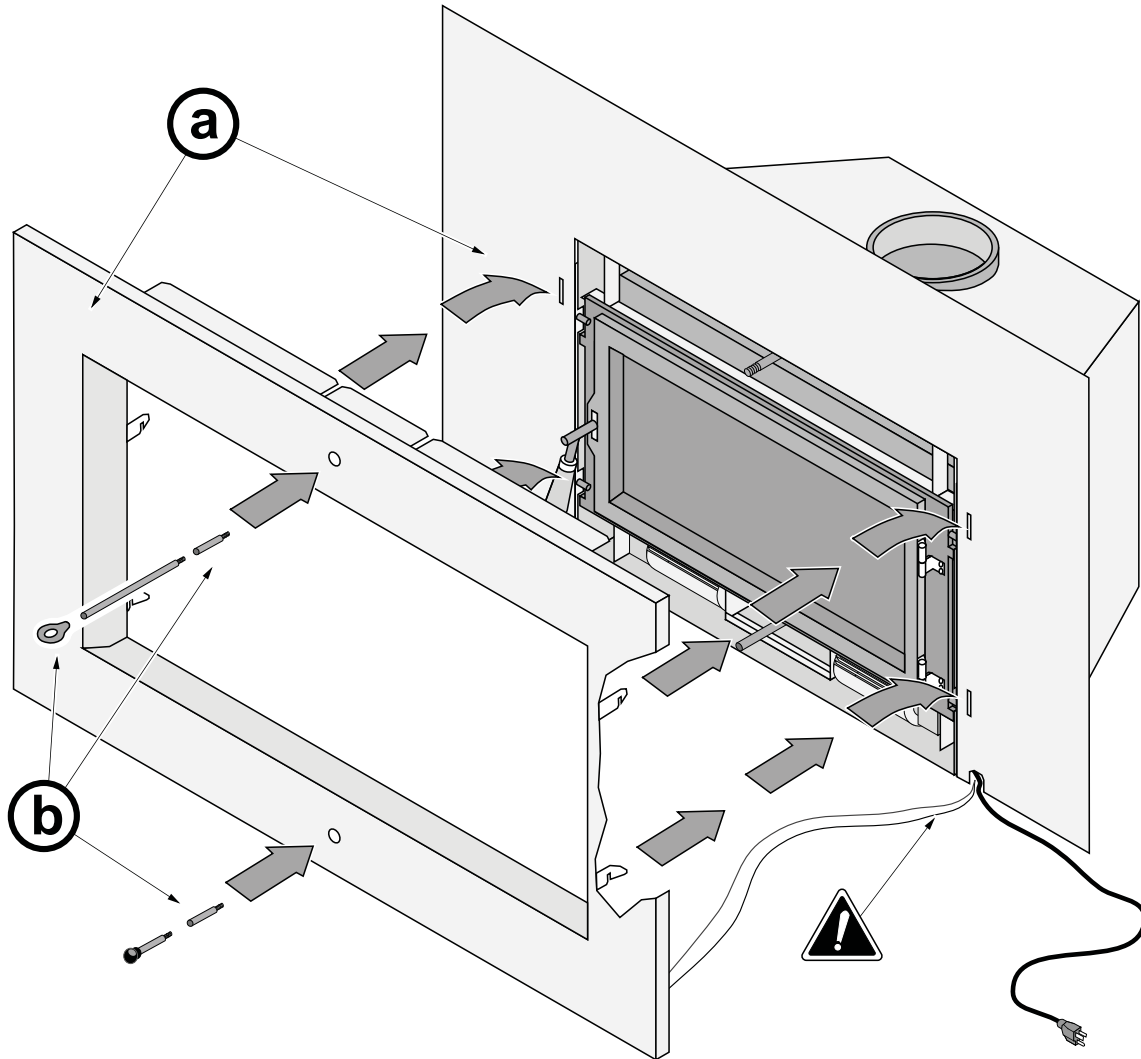
TRAVIS INDUSTRIES  
HOUSE OF FIRE

# Flush Wood Plus Face Installation Instructions

Rectangular Insert: Shadowbox Black 95600654, Shadowbox Bronze 95600657, Times Square 95600658

3. Attach the face as shown below (see "A" below).
4. Attach the air control and extender as shown below. Attach the bypass ring to the bypass rod, then to the bypass extender, and install onto the bypass yoke.

**WARNING:** Make sure all wiring is inserted into the cavity between the insert and the fireplace. Failure to do this may cause the wiring to become damaged.



**HINT:** While installing the bypass extension, reach into the firebox and hold the bypass plate and yoke. See the manual for a detailed view.