



blaze

**B520**  
**B820**

## INSTALLATION INSTRUCTIONS

Contemporary Styled Wood Heaters



**BLAZE B520/B820**



**Australian  
Home Heating**  
Association Inc.



**Landcare  
Australia**

Glen Dimplex Australia proudly supports the activities of Landcare Australia through its membership of the AHHA.

VERSION 1.0

## TABLE OF CONTENTS

1. Important Information . . . . .	2
2. Masonry Installation . . . . .	3
2.1. Clearances to Combustible Materials . . . . .	3
2.2. Floor Protector (Hearth) . . . . .	4
2.3. Mantelpiece Shield . . . . .	5
2.4. Flue . . . . .	5
3. Zero Clearance Installation . . . . .	6
3.1. Clearances to Combustible Materials . . . . .	6
3.2. Enclosure Construction . . . . .	6
3.3. Enclosure Ventilation . . . . .	8
3.4. Floor Protector (Hearth) . . . . .	8
3.5. Flue . . . . .	9
3.6. Power Supply for Fan . . . . .	9
3.7. Fascia Options . . . . .	10
4. Installing the Baffle Plate . . . . .	10
5. Installing the Ash Plate . . . . .	10
6. Installing the Fire Bricks . . . . .	11
7. Technical Drawings . . . . .	12
7.1. B520 . . . . .	12
7.2. B820 . . . . .	13

**THE INSTALLATION INSTRUCTIONS IN THIS MANUAL APPLY TO THE BLAZE B520 AND B820 INSERT WOOD HEATER MODELS.**

IT HAS BEEN TESTED FOR EMISSIONS AND EFFICIENCY AND COMPLIES ACCORDING TO AS/NZS 4012:2014 & AS/NZS 4013:2014.

INSTALLATION CLEARANCES WERE DETERMINED BY TESTING IN ACCORDANCE WITH AS/NZS 2918.

## 1. IMPORTANT INFORMATION

The unit must be installed according to all manufacturers' instructions included in this manual. The manufacturer is not liable for installations that do not meet the requirements outlined in this manual.

Most building regulatory authorities in Australia require any wood heater installation to comply with Installation Standard AS/NZS 2918:2018. Different states and councils may have varying regulations. Check local building regulations before installing the appliance.

All Blaze wood heaters have been tested to ensure that they will meet the appropriate safety Standard requirements if the instructions in this manual are followed. As the safety and emissions performance can be affected by altering the appliance, no modifications are allowed without written permission from the manufacturer.

**WE RECOMMEND THAT THE INSTALLATION OF YOUR BLAZE WOOD HEATER BE CARRIED OUT BY A QUALIFIED INSTALLER.**

**WARNING: THE APPLIANCE AND FLUE SYSTEM SHALL BE INSTALLED IN ACCORDANCE WITH AS/NZS 2918:2018 AND THE APPROPRIATE REQUIREMENTS OF THE RELEVANT BUILDING CODE OR CODES.**

**WARNING: APPLIANCES INSTALLED IN ACCORDANCE WITH THIS STANDARD SHALL COMPLY WITH THE REQUIREMENTS OF AS/NZS 4012 & AS/NZS 4013 WHERE REQUIRED BY THE REGULATORY AUTHORITY, I.E. THE APPLIANCE SHALL BE IDENTIFIABLE BY A COMPLIANCE PLATE WITH THE MARKING 'TESTED TO AS/NZS 4012 & AS/NZS 4013'.**

**ANY MODIFICATION OF THE APPLIANCE THAT HAS NOT BEEN APPROVED IN WRITING BY THE TESTING AUTHORITY IS CONSIDERED TO BE IN BREACH OF THE APPROVAL GRANTED FOR COMPLIANCE WITH AS/NZS 4012 & AS/NZS 4013.**

Caution: Mixing of appliance or flue-system components from different sources or modifying the dimensional specification of components may result in hazardous conditions. Where such

action is considered, the manufacturer should be consulted in the first instance.

Caution: Cracked and broken components, e.g. glass panels or ceramic tiles, may render the installation unsafe.

**WARNING: KEEP BATTERIES OUT OF REACH OF CHILDREN**

Swallowing may lead to serious injury in as little as 2 hours or death, due to chemical burns and potential perforation of the oesophagus.

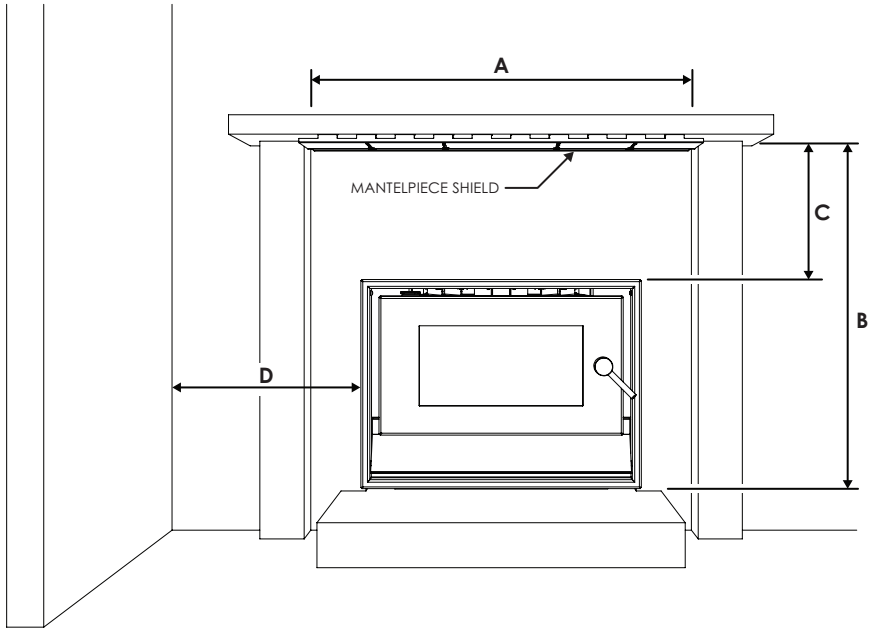
If you suspect your child has swallowed or inserted a button battery immediately call the 24-hour Poisons Information Centre on 13 11 26 (in Australia) or 0800 764 766 (in New Zealand) for fast, expert advice.

Examine devices and make sure the battery compartment is correctly secured, e.g. that the screw or other mechanical fastener is tightened. Do not use if the compartment is not secure.

Dispose of used button batteries immediately and safely. Flat batteries can still be dangerous.



## 2. MASONRY INSTALLATION



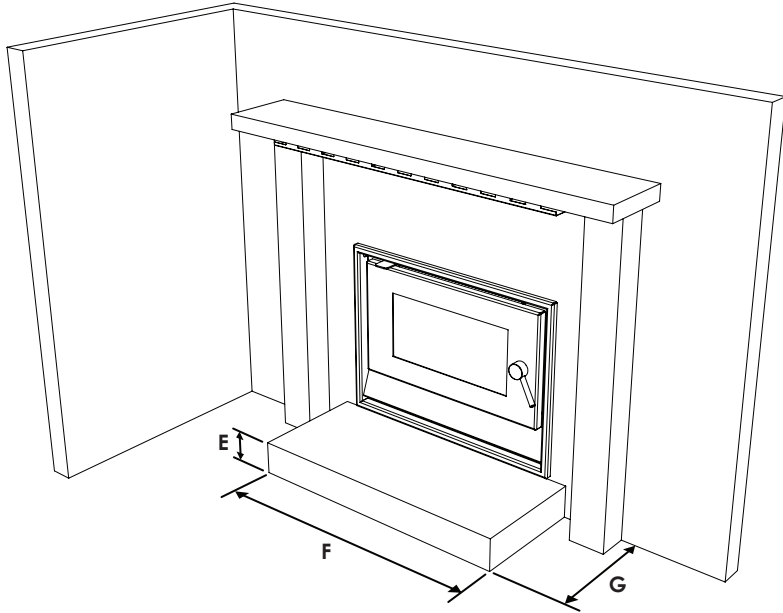
Refer to this section for clearance requirements and instructions if heater is to be in a masonry installation. For variations to clearances relative to a combustible mantelpiece refer to AS/NZS 2918 Clause 3.4.2.

### 2.1. CLEARANCES TO COMBUSTIBLE MATERIALS

The dimensions given in the table and image represent the minimum clearance (in millimetres) to combustible materials, such as a mantelpiece with columns, when installed in a non-combustible fireplace. If a combustible mantelpiece is present, a Mantelpiece Shield must be installed (refer to section "2.3. Mantelpiece Shield").

#### CLEARANCES MASONRY INSTALLATION

	B520	B820
<b>A</b> (Width between mantelpiece columns)	900mm	1020mm
<b>B</b> (Height to mantelpiece from hearth)	970mm	1080mm
<b>C</b> (Height to mantelpiece above air vents)	400mm	450mm
<b>D</b> (Distance to side wall from side of fascia)	200mm	250mm



## 2.2. FLOOR PROTECTOR (HEARTH)

The dimensions given in the table and image represent the minimum hearth sizes (in millimetres), when installed in a non-combustible fireplace, with either cement sheet (thermal conductivity not greater than  $0.33\text{W/m}^\circ\text{K}$ ) or brick.

- The dimensions can be larger than the minimum dimensions given here if desired.
- The floor protector may be laid directly on the combustible floor.
- For more details and variations on floor protectors refer to AS/NZS 2918 Clause 2.2, 3.3.1, & 3.3.2.

### CLEARANCES FLOOR PROTECTOR

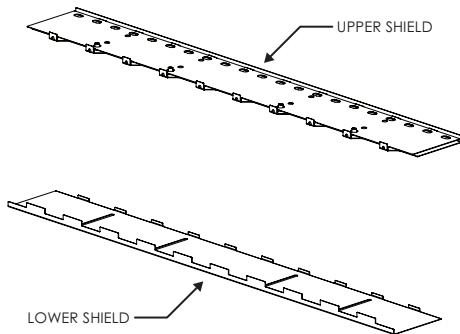
Hearth Material (or equivalent)	B520		B820	
	CEMENT SHEET	BRICK	CEMENT SHEET	BRICK
<b>E</b> (Thickness)	15mm	110mm	15mm	110mm
<b>F</b> (Width)	900mm	900mm	1000mm	1000mm
<b>G</b> (Depth from door)	400mm	300mm	500mm	300mm

### 2.3. MANTEPIECE SHIELD

If the installation contains a mantelpiece made of combustible material, the Mantelpiece Shield (which needs to be ordered separately) must be fitted.

Parts Supplied:

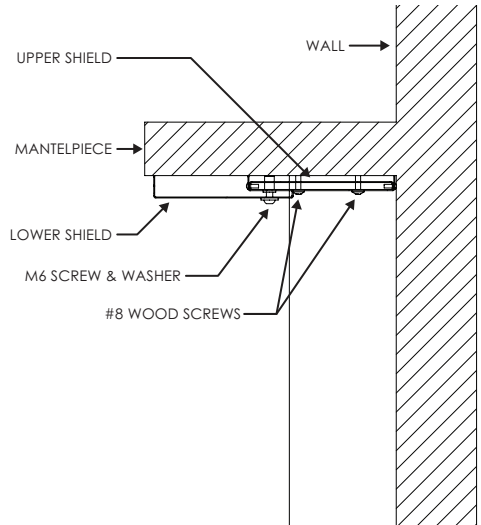
- 1 x Upper Shield
- 1 x Lower Shield
- 4 x M6 Screws
- 4 x M6 Washers
- 8 x #8 Wood Screws



The Mantelpiece Shield can extend to fit a mantelpiece with a depth greater than 140mm, following these steps:

1. If required, trim width of shield to suit width of mantelpiece. Material may have to be removed from both ends to be symmetrical.
2. Hold upper shield hard against the wall and underside of mantelpiece. Screw in place with #8 wood screws.
3. Attach lower shield to upper shield with M6 screws and washers loosely.

4. Slide lower shield until the front is 2mm inside from the edge of the mantelpiece. If the mantelpiece depth is greater than the reach of the shield, slide to fully extended position.
5. Tighten M6 screws until held firm, but not so tight that the shield buckles.



### 2.4. FLUE

In a masonry installation, a 150mm diameter flue must extend through the chimney, from firebox to atmosphere.

#### 2.4.1. FITTING FLUE SEAL

Any gaps between the inside of the flue spigot and the 6 inch active flue should be sealed. This can be done by wrapping the bottom of the flue with the piece of adhesive backed high temperature cloth tape supplied. Alternatively, stove cement designed for this purpose can also be used.

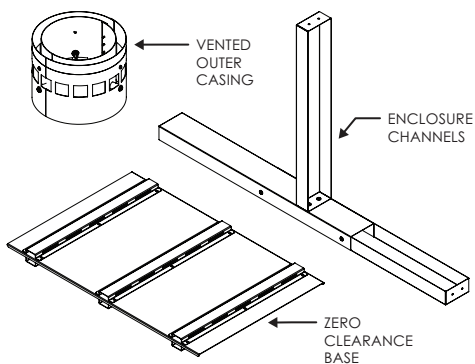
### 3. ZERO CLEARANCE INSTALLATION

Refer to this section for clearance requirements and instructions if the heater is to be in a zero clearance installation.

A licensed accredited installer should install all wood heaters. Please ask your retailer to locate an installer. **All warranty is void unless installed by an authorised installer.**

The zero clearance kit (supplied separately) includes these parts:

- 1 x Zero Clearance Base
- 1 X Vented Outer Casing
- 1 X Enclosure Channel Vertical
- 2 X Enclosure Channel Horizontal
- 4 X Wafer Head Screws #10 x 16mm
- 6 X Wafer Head Timber Screws #10 x 45mm



#### 3.1. CLEARANCES TO COMBUSTIBLE MATERIALS

The table to the right gives minimum clearances from the appliance to combustible materials. All dimensions are from the surfaces on the outer box of the appliance (see diagram in following section "3.2. Enclosure Construction"). Internal clearances are within the enclosure, and external clearances are outside the enclosure (inside the area to be heated).

#### CLEARANCES

##### ZERO CLEARANCE INSTALLATION

	B520	B820
<b>A</b> (Rear internal)	40mm	40mm
<b>B</b> (Side internal)	150mm	150mm
<b>C</b> (Height of ZC base)	40mm	40mm
<b>D</b> (Above internal)	500mm	500mm
<b>E</b> (Side wall external)	200mm	250mm
<b>F</b> (Ceiling external)	1260mm	1200mm

#### 3.2. ENCLOSURE CONSTRUCTION

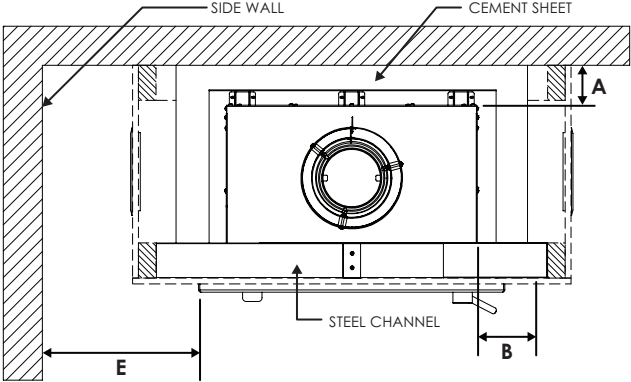
The following drawings show the construction of an enclosure with minimum clearances to combustible materials from the appliance determined in accordance with AS/NZS 2918.

These are minimum clearances and may be installed with greater clearances if desired.

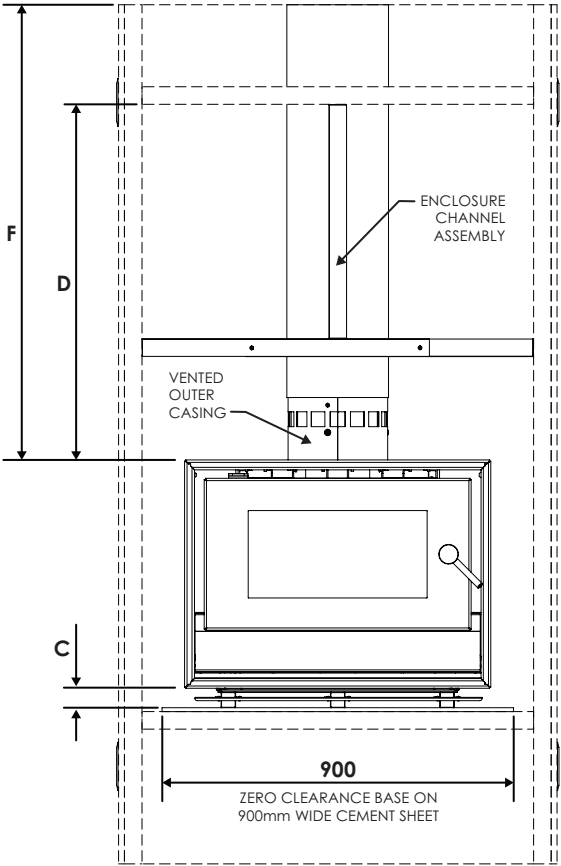
- The frame is constructed of 90mm x 45mm timber, displayed as dashed lines.
- The appliance and zero clearance base sits on a 5(H) x 900(W) x 545(D)mm cement sheet.
- The supplied enclosure channels are assembled and screwed onto the enclosure above the appliance.
- The cladding on the front wall must be a non-combustible material such as cement sheeting.

**Note: Additional supports should be used to support the weight of the heater, zero clearance base and flue system. These have not been shown in the drawing.**

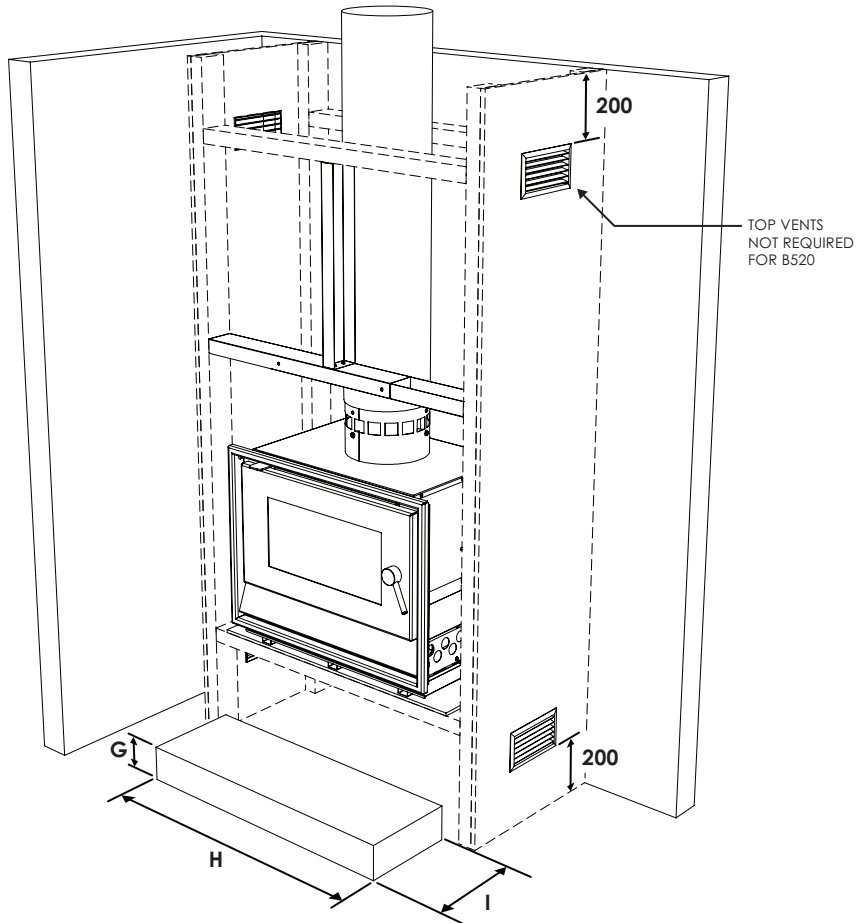




TOP VIEW



FRONT VIEW



### 3.3. ENCLOSURE VENTILATION

The enclosure must be ventilated. The purpose of the vents is to allow cooler air to be drawn into the enclosure.

**B520 installations require two vents, each with a minimum free area of 7350mm<sup>2</sup>, fitted on either side of the enclosure, not more than 200mm above the floor.**

**B820 installations require four vents, each with a minimum free area of 7350mm<sup>2</sup>, fitted on either side of the enclosure - two not more than 200mm above the floor AND two not lower than 200mm below the ceiling.**

### 3.4. FLOOR PROTECTOR (HEARTH)

The zero clearance base must be supported on a layer of cement sheet with a minimum thickness of 5mm, measuring 900mm wide x 545mm deep. Any wider, and it will restrict the ventilation from the lower vents past the appliance.

The minimum dimensions of the floor protector are dependent on the height above the floor at which the heater is installed. See tables on following page for minimum required dimensions.

**CLEARANCES**  
FLOOR PROTECTOR - HEATER 250MM OR MORE ABOVE FLOOR

	B520	B820
<b>G</b> (Thickness)	7.5mm	7.5mm
<b>H</b> (Width)	900mm	1000mm
<b>I</b> (Depth from door)	300mm	300mm

**CLEARANCES**  
FLOOR PROTECTOR - HEATER LESS THAN 250MM ABOVE FLOOR

	B520		B820	
Hearth Material (or equivalent)	CEMENT SHEET	BRICK	CEMENT SHEET	BRICK
<b>G</b> (Thickness)	15mm	110mm	15mm	110mm
<b>H</b> (Width)	900mm	900mm	1000mm	1000mm
<b>I</b> (Depth from door)	400mm	300mm	500mm	300mm

**3.5. FLUE**

Install a 150mm diameter double cased flue kit to comply with AS/NZS 2918. The double casing must extend from the vented outer casing on top of the appliance, all the way through to the top where the flue terminates. A hole of 300 mm diameter is required in the ceiling with a minimum 25 mm clearance between any combustible material and the 250mm outer casing.

**3.5.1. FITTING FLUE SEAL**

Any gaps between the inside of the flue spigot and the 6 inch active flue should be sealed. This can be done by wrapping the bottom of the flue with the piece of adhesive backed high temperature cloth tape supplied. Alternatively, stove cement designed for this purpose can also be used.

**3.6. POWER SUPPLY FOR FAN**

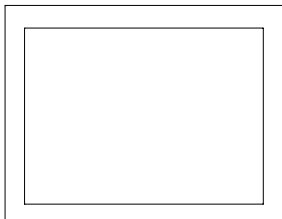
Provide a power point in the cavity under the heater for connecting the fan in the heater. If the cavity under the heater will not be accessible once the heater is installed (such as through a removable vent) then ensure an extension cord long enough to reach out of the front of the opening is lying in the base of the cavity.

When connecting the lead from the fan to the extension cord, it is suggested to tape the connection together. This is to prevent separation if the remote receiver requires removal and the lead must be pulled through.

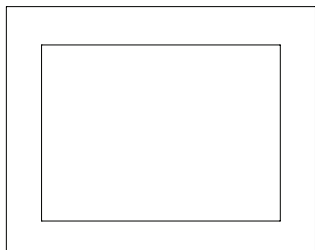
### 3.7. FASCIA OPTIONS

A 4mm thick fascia can be installed on the unit (supplied separately). Four fascia options are available for each model (B520 or B820).

#### Fascia 4 Sided 50mm (50mm visible edges)



#### Fascia 4 Sided 100mm (100mm visible edges)



#### Fascia 3 Sided 50mm (50mm visible edges)



#### Fascia 3 Sided 100mm (100mm visible edges)

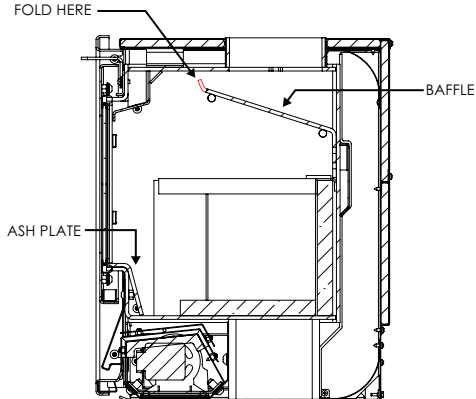


## 4. INSTALLING THE BAFFLE PLATE

The baffle plate should be installed before installing the fire bricks.

1. Place the baffle inside the firebox with the slotted fold directed downwards and at the rear of the firebox (refer to following diagram for correct orientation).
2. Raise the front of the baffle, tilting it back so that it clears and rests on the front support rods.
3. Raise the rear of the baffle, bringing it forward enough to clear the rear support rods.
4. Once clear of the rear support rods, push the baffle back so that it is resting hard up against the rear of the firebox.
5. Centralise the baffle so that gaps between each side and firebox are equal.

NOTE: B820 HAS  
ADDITIONAL  
FOLD HERE



## 5. INSTALLING THE ASH PLATE

The ash plate acts to protect the front of the firebox below the door opening from the hot coal bed and fire.

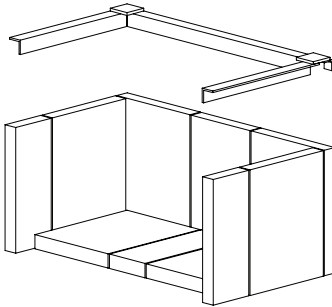
When positioning the ash plate, ensure that the front face is flush with the door opening face, as shown in the diagram above.

## 6. INSTALLING THE FIRE BRICKS

Place the bricks into the firebox as shown in the diagrams below for the B520 and B820. Once bricks are in, fit the retainer over the top to hold them in place.

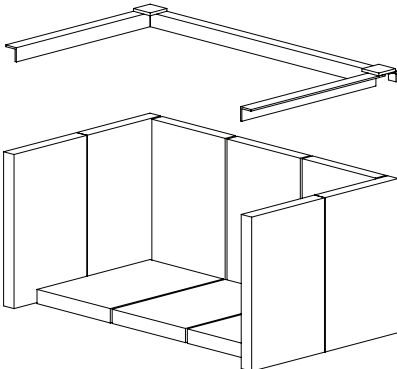
### B520:

- Two full size (220 x 175 x 25) and one (220 x 140 x 25) along the back.
- One full size and one half size (220 x 85 x 25) along each side.
- Two full size and one half size in the base.



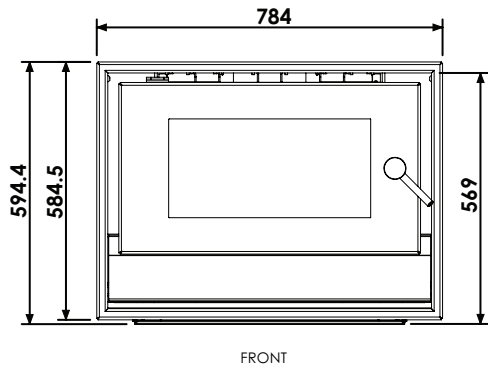
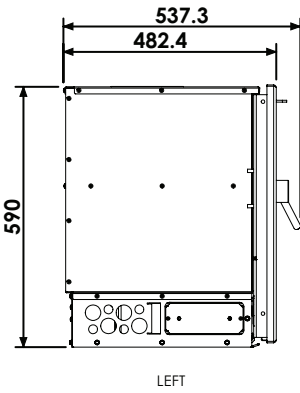
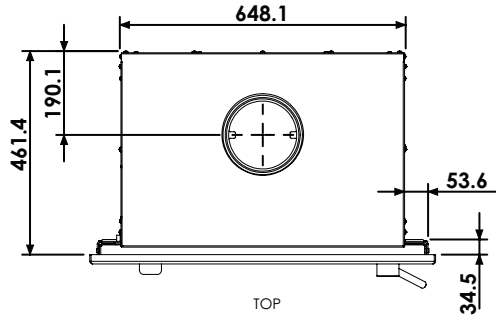
### B820:

- Three full size (270 x 175 x 25) along the back.
- Two full size along each side.
- Three full size in the base.

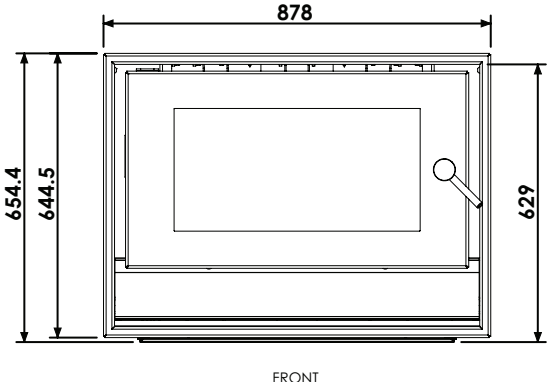
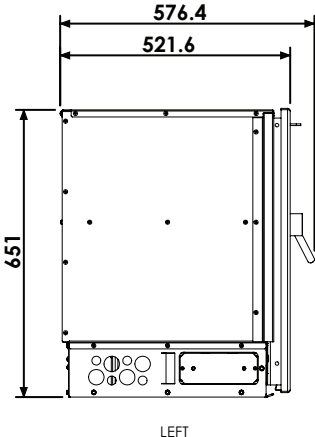
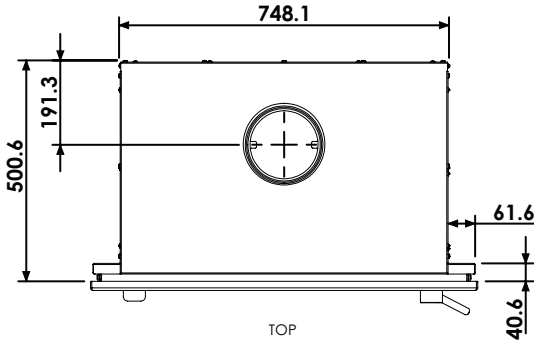


7. TECHNICAL DRAWINGS

7.1. B520



7.2. B820



**Glen Dimplex Australia Pty Ltd**

8 Lakeview Drive,  
Scoresby Victoria 3179  
Australia

T: 1300 554 155

General & Sales Enquiries: [flame.care@glendimplex.com.au](mailto:flame.care@glendimplex.com.au)

Technical Service: [flame.support@glendimplex.com.au](mailto:flame.support@glendimplex.com.au)

[www.glendimplex.com.au](http://www.glendimplex.com.au)