

SCULPT™

FIREPLACE
COLLECTION

AXIS

I1000 | I1000DS FREESTANDING INSTALLATION & USER GUIDE

1. PREFACE

2. SPECIFICATIONS AND CLEARANCES

3. PRELIMINARY INSTALL GUIDE

4. INSTALL GUIDE

5. OPERATION & MAINTENANCE

6. TEST REPORTS

7. WARRANTY

8. FINAL WORDS



NOTICE TO INSTALLER:

These instructions must be left with the owner, who should keep them for future use.

COMPLIANCE PLATE AND SERIAL NUMBER.

The instructions in this manual are recommendations only, the distributor and manufacturer bears no liability to the interpretation of these instructions. Please ensure to download the latest version of this manual from our website: www.sculptfireplaces.com.au/installation-manuals/

© Copyright 2021 Sculpt Fireplaces Collection

CONGRATULATIONS!

Thank you for choosing Sculpt Fireplaces as your heater of choice.

Your fireplace is the result of careful design, artisan engineering and safety tests. If it is properly installed, used and maintained, you may be sure that you will have an outstanding heating feature in your home for years to come.

We advise you to read through this guide in order to become acquainted with the installation methods specific to your fireplace.

It is recommended that this fireplace be installed by a qualified and licensed trades professional. You will find in this guide the answers to most of your questions, should you require further assistance we recommend you contact your retailer.

Before igniting your fireplace for the first time, please carefully read this manual.

Follow [@sculptfireplacecollection](#) on Instagram, [SculptFireplaceCollection](#) on Facebook and be sure to post your latest masterpiece installed with the hashtag [#sculptfires](#).

We hope we've helped make you the envy of your friends this winter and for years to come.

**From all of us,
Sculpt Fireplace Collection**

ALL FIREPLACES IN THIS MANUAL CONFORM TO AUSTRALIAN AND NEW ZEALAND STANDARDS AS/NZS 2918:2018 DOMESTIC SOLID FUEL BURNING APPLIANCES & AS/NZS 4012/4013(2014).

IMPORTANT

Heating capacity of the following appliances are a guide only and refers to areas with 2.4m ceilings and 6 or more star rated buildings. Heating output may vary depending on factors such as building characteristics, quality of insulation, type of firewood used and climate zone.

All dimensions shown are approximate. Check all dimensions accurately prior to installation. In line with our policy of continuous improvement, we reserve the right to alter specifications without notice.

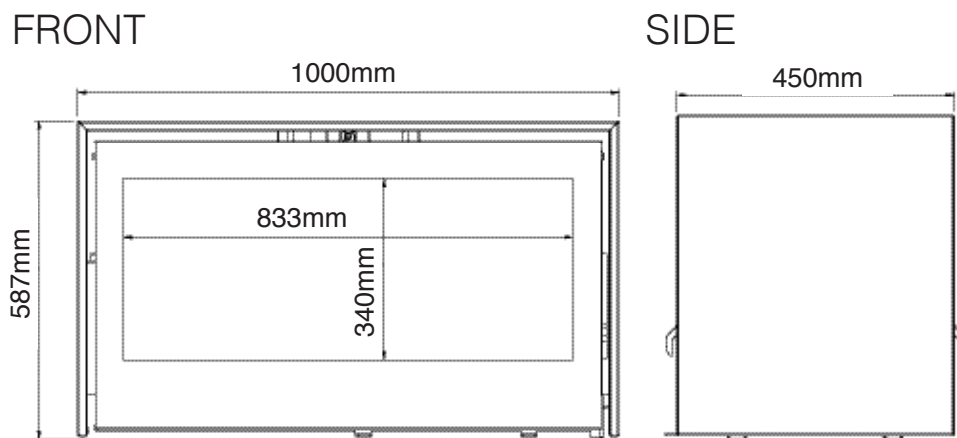
All units comply and **MUST** be installed to Australian & New Zealand Standard AS/NZS 2918:2018. When in use some parts may become hot. A suitable fire guard is recommended where very young, elderly or infirm are concerned.

The instructions in this manual are recommendations only, the distributor and manufacturer bears no liability to the interpretation of these instructions.

© Copyright 2021 Sculpt Fireplaces Collection

AXIS I1000 Single Sided

| | |
|----------------------------------|---|
| Material | Solid steel firebox with firebricks |
| Heating Capacity | Up to 15 to 30 Squares* |
| Avg Emissions | 1.2g/kg |
| Avg Efficiency | 66% |
| Glass Door | Secure swing door opening system |
| Minimum Flue Height | 4.6m |
| Flue Dimensions | 197mm, 250mm, 200mm |
| Outside Air Kit | Recommended for well insulated homes |
| Warranty | 10 year firebrick and 5 year firebox warranty** |
| Weight | 180kg |
| Minimum Hearth Dimensions | Width: 1220mm Depth: 1055mm Thickness: 9mm*** |



* Heating capacity of the following appliances are a guide only and refers to areas with 2.4m ceilings and 6 or more star rated buildings. Heating output may vary depending on factors such as building characteristics, quality of insulation, type of firewood used and climate zone.

** See warranty pg. 23 of the manual

*** Refer to pg. 6 for further details about the clearances & hearth

Clearances & Hearth- Axis I1000 Single Sided

This appliance and flue were tested at the following clearances.

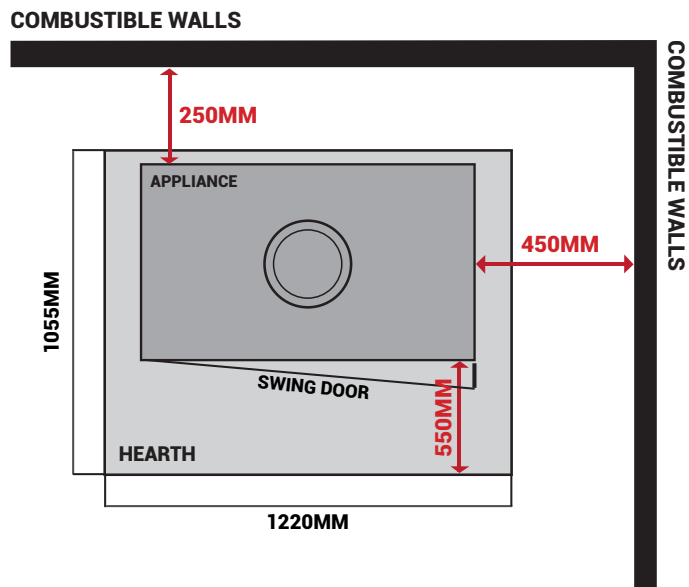
The Axis I1000 Single sided free standing appliance and 8" flue system with a painted solid casing between the appliance and ceiling conforming to joint Australian/New Zealand Standards 2918:2001, Appendix B.

A minimum **1055mm** deep X **1220mm** wide and **9mm** non-combustible hearth should be installed, see joint AS/NZs 2918:2001 3.3.2). The floor protector (hearth) should extend **550mm** in front of the appliance fuel loading door and be placed centrally in the **1220mm** width.

*****The appliance must be elevated a minimum of 250mm above the hearth (on a non combustible surface). If the heater is placed directly onto the hearth, the hearth dimensions required will be greater. Please refer to AS/NZS 2918:2018 as per the minimum for a non-tested appliance.**

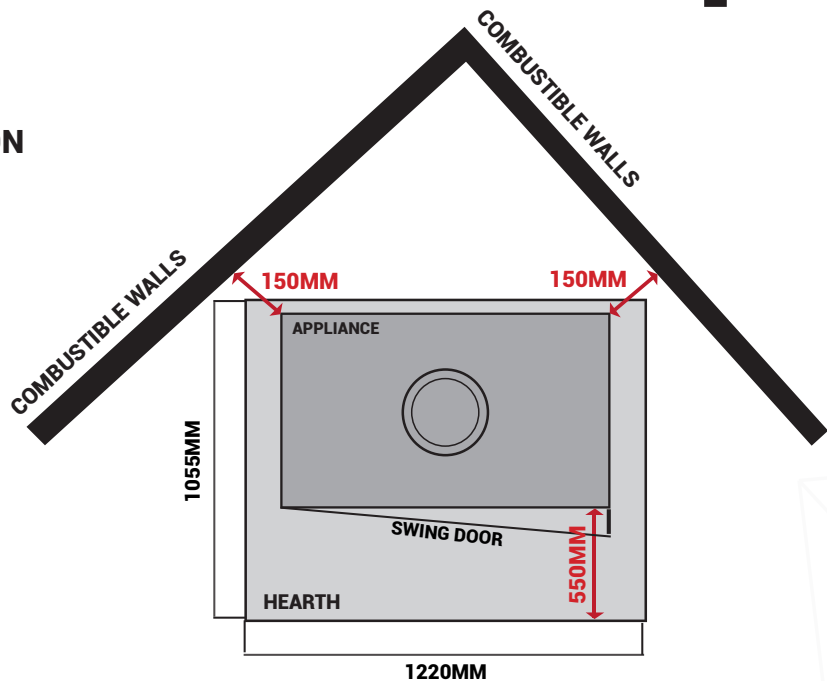
POSITION A PARALLEL POSITION

Diagram not to scale



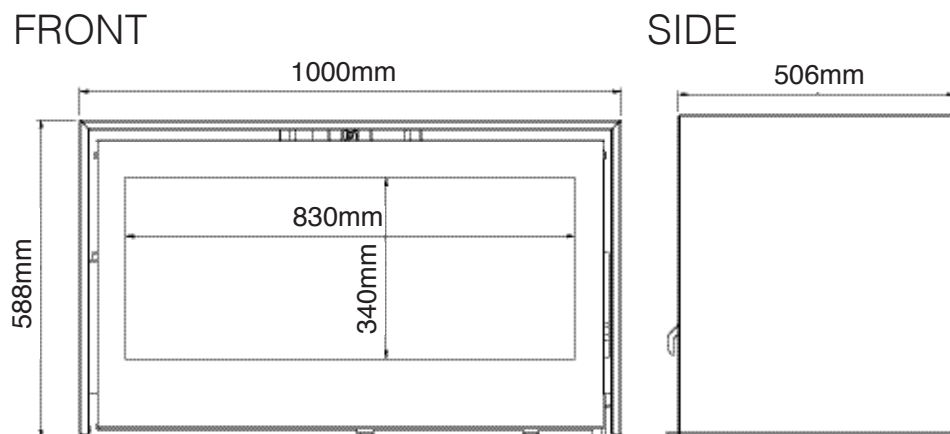
POSITION B CORNER POSITION

Diagram not to scale



AXIS I1000 DS Double Sided

| | |
|----------------------------------|---|
| Material | Solid steel firebox with firebricks |
| Heating Capacity | Up to 15 to 30 Squares* |
| Avg Emissions | 1.0g/kg |
| Avg Efficiency | 62% |
| Glass Door | 2X Secure swing door opening systems |
| Minimum Flue Height | 4.6m |
| Flue Dimensions | 197mm, 250mm, 300mm |
| Outside Air Kit | Recommended for well insulated homes |
| Warranty | 10 year firebrick and 5 year firebox warranty** |
| Weight | 180kg |
| Minimum Hearth Dimensions | Width:1220mm Depth:1605mm Thickness: 9mm*** |



* Heating capacity of the following appliances are a guide only and refers to areas with 2.4m ceilings and 6 or more star rated buildings. Heating output may vary depending on factors such as building characteristics, quality of insulation, type of firewood used and climate zone.

** See warranty pg. 23 of the manual

*** Refer to pg. 8 for further details about the clearances & hearth

Clearances & Hearth- Axis I1000 DS Double Sided

This appliance and flue were tested at the following clearances:

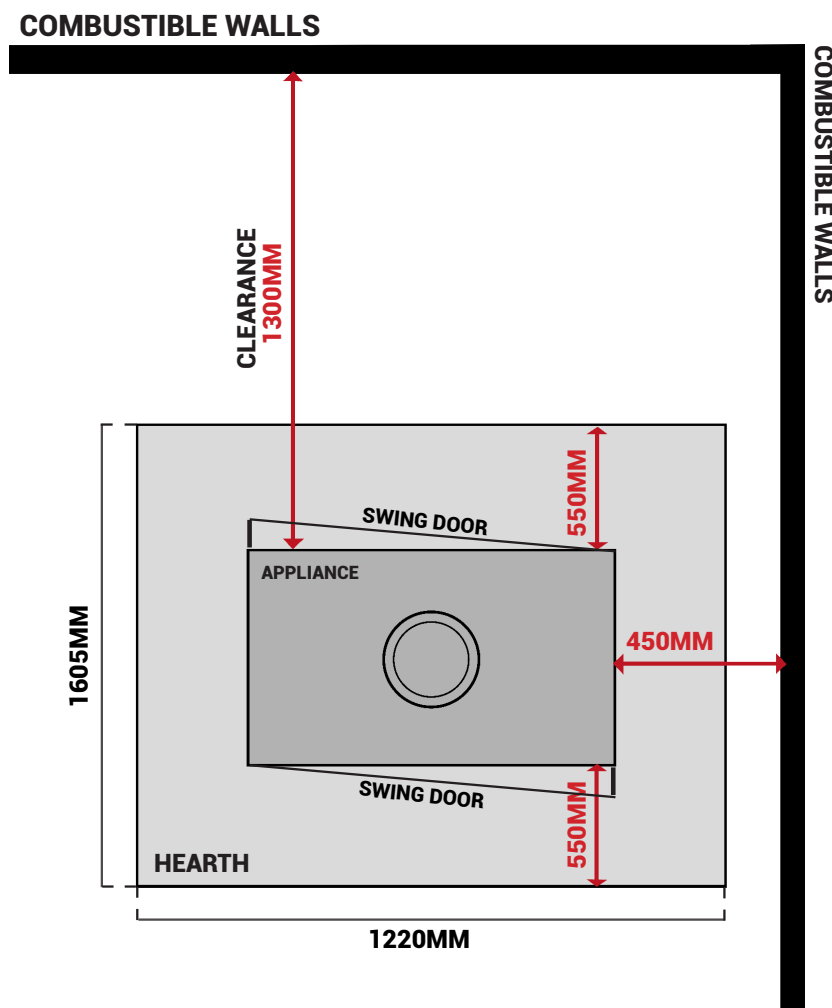
The Axis I1000 Double Sided free standing appliance and 8" flue system with a solid casing between the appliance and ceiling conforming to joint Australian/New Zealand Standards 2918:2001, Appendix B.

A minimum **1055mm** deep X **1220mm** wide and **9mm** thick non-combustible hearth should be installed, see joint AS/NZS 2918:2018 3.3.2). The floor protector (hearth) should extend **550mm** in front of the appliance fuel loading door and be placed centrally in the **1220mm** width.

*****The appliance must be elevated a minimum of 250mm above the hearth (on a non combustible surface). If the heater is placed directly onto the hearth, the hearth dimensions required will be greater. Please refer to AS/NZS 2918:2018 as per the minimum for a non-tested appliance.**

POSITION A PARALLEL POSITION

Diagram not to scale



It is the users duty to make themselves aware of and apply all national or more restrictive local standards and instructions (AS/NZS 2918:2018).

IMPORTANT

Prior to unpacking and installation ensure the appliance has not been damaged during transit. Please ensure you check the glass, the door(s), the damper operation and the door locking mechanism

Before any work is carried out, as per local and national regulations and laws, this appliance MUST be installed by a licensed professional as per AS/NZS 2918:2018.

IMPORTANT WARNING

It is strictly forbidden to use any combustible materials (ie: wooden framing, plaster, etc) near or around this appliance. Any exception from this rule is a health and safety hazard which will result in a non-compliant installation and a void of warranties.

Electrical cables and components must not be placed in the vicinity of the appliance as it is a fire hazard.

PRELIMINARY INSTALL INFORMATION

For the installation and use of this appliance, the fitter and the user should strictly adhere to local and national regulations in addition to AS/NZS 2918:2018. The installer should comply with the instructions and recommendations detailed in this manual. Safety and operation of the fireplace is directly dependent thereon. The liability of the manufacturer can neither be retained nor assured following failure of installation or incorrect use which does not comply with AS/NZS 2918:2018.

As each installation is unique, a qualified and licensed trades professional should take all required preliminary precautions depending on the technical elements inherent to each job.

In-observance of the assembly instructions in conjunction with AS/NZS 2918:2018 entails the liability of the person who carries it out.

As a result of faulty assembly, irrational use of parts or additional components that were not supplied by the manufacturer, and/or modifying of the appliance or components will result in inferior or unsafe operation. Should this occur the manufacturer bears no liability, and will result in a null and void product warranty.

PLEASE READ PRIOR TO INSTALL

All images and diagrams in this manual are for installation reference purposes only and are not to scale, the distributor and manufacturer bears no accuracy of these images and accepts no liability. The purpose of these images and diagrams is to act as a guide in conjunction with the written components, and are NOT to be used to instruct independently. The order of steps listed in this manual are recommendation only.

It is strongly recommended that the licensed trade professional who is performing the installation of this appliance, completely read and comprehend all instructions in this manual prior to proceeding.

Sculpt Fireplaces & Axis reserves the right to change these specifications without prior notice.

ACCEPTABLE VARIANCE ALLOWANCE

Due to the production of these hand assembled and manufactured fireplaces, there is an acceptable allowance of 3-5mm variance of the unit, including the door frame. This variance in production is non-claimable under any warranties.

HEAT RESISTANT MATERIALS

Heat resistant materials must meet AS/NZS 2918:2018 clause 1.4.27 a material with an allowable service temperature of 600° Celsius or greater.

FIREBOX LOCATION

Prior to proceeding with installation thoroughly investigate the materials composing the surrounding back walls, floor and ceiling of the desired position of the firebox. Combustible heat degrading materials, electric wiring or gas piping **MUST NOT** be located within the distance specified by the clearances (pg. 6 & 8). Ensure the flooring can support the weight of the appliance (see weight in specifications). **ALL** preparatory work required prior to installing the firebox (external air intake etc) must be completed before proceeding with installation.

We strongly recommend installing the appliance in a weather tight room. Dust from works may be deposited on the appliance and burned when it is commissioned, causing ceilings to blacken. It is therefore recommended that all preparatory works be completed prior to installing the appliance.

PART A - FIREBOX INSTALLATION

Step 1. Ensure all components required are prepared.

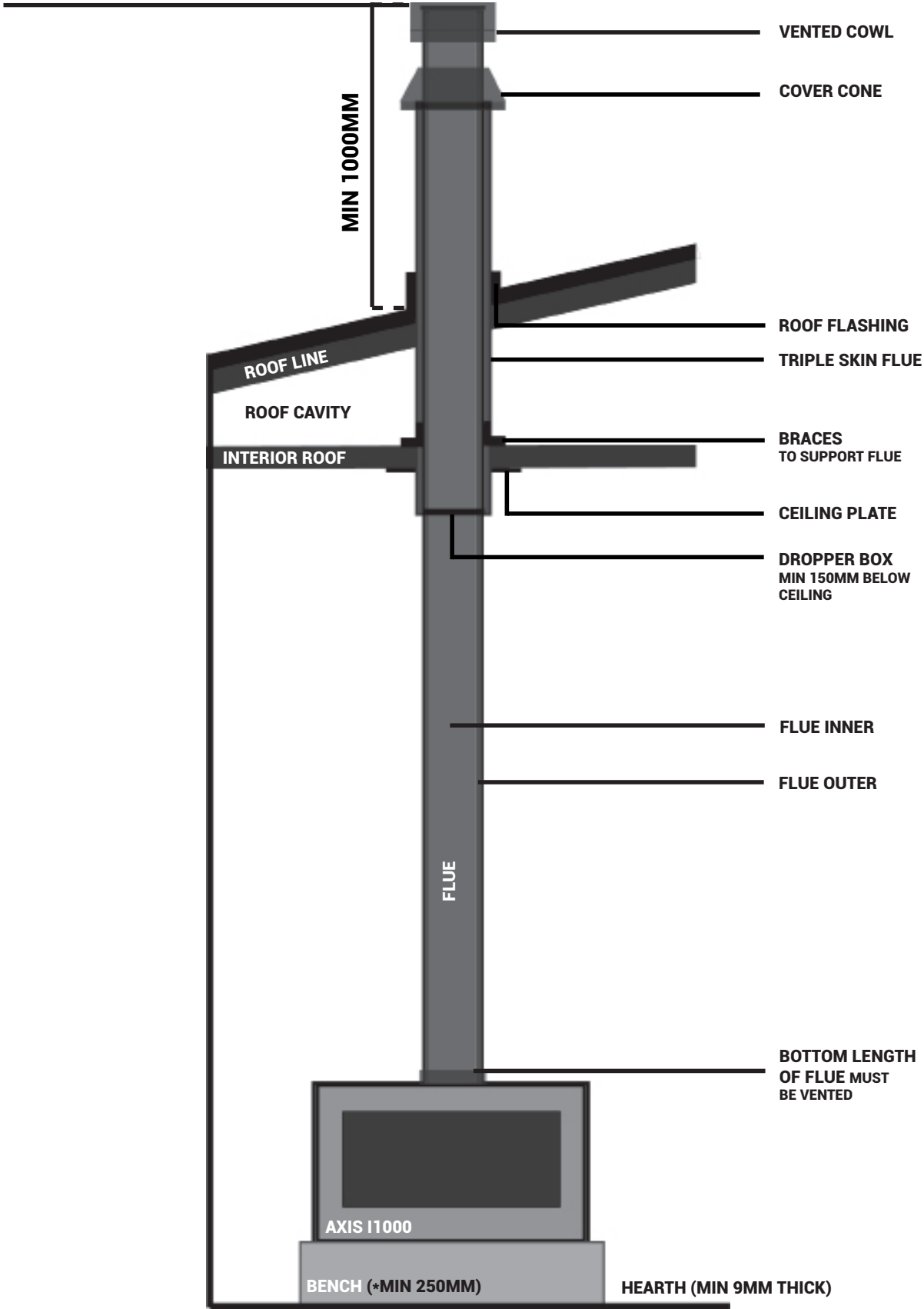
Step 2. If a floor protector (hearth) is to be used, position now, refer to clearances (pg. 6 & 8) for a guide on the appropriate positioning to accompany clearances and the floor protector (hearth).

Step 3. Position the appliance, refer to clearances (pg. 6 & 8) for minimum requirements.

Step 4. Prior to proceeding ensure both the firebox and hearth are fixed in position.

Step 5. Refer to Flue System Installation (pg. 13) & AS/NZS 2918:2018.

CLEARANCE MIN 3000MM (IN ALL DIRECTIONS)



*The appliance must be elevated a minimum of 250mm above the hearth (on a non combustible surface). If the heater is placed directly onto the hearth, the hearth dimensions required will be greater. Please refer to AS/NZS 2918:2018 as per the minimum for a non-tested appliance.

This diagram is not to scale, the author of this manual bears no liability to the misinterpretation of this diagram.

FLUE SYSTEM INSTALLATION

Listed below are the general instructions for flue system install, please refer to these during the flue installation process.

- Inner active flue installed crimped/narrow end down
- Outer casing installed crimped/narrow end up (critical when exposed above the roof line).
- Flue pipes, seal all joints including at firebox spigot. Fix with a minimum of 3 stainless steel rivets.
- Flue pipe spaces, affix to flue pipe.
- Flue system termination point (Refer to AS/NZS 2918:2018 4.9.1)
- Overall flue height (from the hearth to the ceiling extension) must be a minimum of 4.6m as per AS/NZS 2918:2018 4.9.1(a)
- Roof penetration and flashing method refer AS/NZS 2918:2018

PROCESS FOR FLUE SYSTEM INSTALLATION

The specifications contain our recommendations for the flue diameter and height values (total height from the wood heater evacuation). The inner surface area of the flue to which the inset wood heater is connected must be equal to the wood heater evacuation surface area.

IMPORTANT

It is the installers duty to check that the flue is compliant with all relevant regulations and standards.

For the appliance to operate at its prime, the draw must be controlled and be between 12 and 20 pascals. In the case of negative pressure hood using mechanical extraction, the air-tightness of the connecting flue, including its junction, must be such that smoke cannot be sucked into the extractor.

Step 1. Locate the appliance in position or by measuring at the ceiling, ensuring the flue pipe is in centre position.

IMPORTANT: Ensure you check that the outer casing is unobstructed prior to proceeding with the installation.

Step 2. Spike the centre with a nail. Transfer this position to the next surface above.

Step 3. Cut the ceiling penetration (as required), perform the same at the roof penetration.

Step 4. Frame the penetration with roofing material or timber as required. Refer to minimum requirement for roof penetration AS/NZS 2918:2018.

Step 5. Install the lower casing so that the lower end is flush with the underside of the ceiling material and with the addition of the metal "L" brackets, affix to the outer casing at 90.

Step 6. Flash the outer casing to the roof material with the appropriate approved flashing.

Step 7. If using an outer/inner casing combination, now install the inner casing ensuring it extends a minimum 1000mm above the high side of the roof line.

Step 8. Prepare the ceiling plate and place upside down over the flue spigot.

Step 9. Extend the flue pipe above the outer casing to suit the casing cover/cowl assembly.

Step 10. Install the cowl assembly (cover cone and cowl).

Step 11. Position and secure the ceiling plate with the screws and spacers.

Step 12. Clean the flue pipe to ensure all marks (finger or otherwise) are removed prior to proceeding.

Step 13. If flue offset is required, refer to AS/NZS 2918:2018 4.1

IMPORTANT

Please note the flue should not include more than two 45° bends. The angle of these bends cannot exceed more than 45° and can have no more than one length of 900mm flue between them.

COMMISSIONING THE APPLIANCE

These instructions are to be kept by the user, the installer under any circumstances **MUST NOT** dispose of this manual. Following installation it is recommended the installer review any questions or queries the new user might have, this should include lighting the fire and explaining the various functioning components of the appliance. Insist on the wood quality, on the need to light the fire correctly and have correct combustion in order to avoid all problems related to smoke emission in the room or blackened glass.

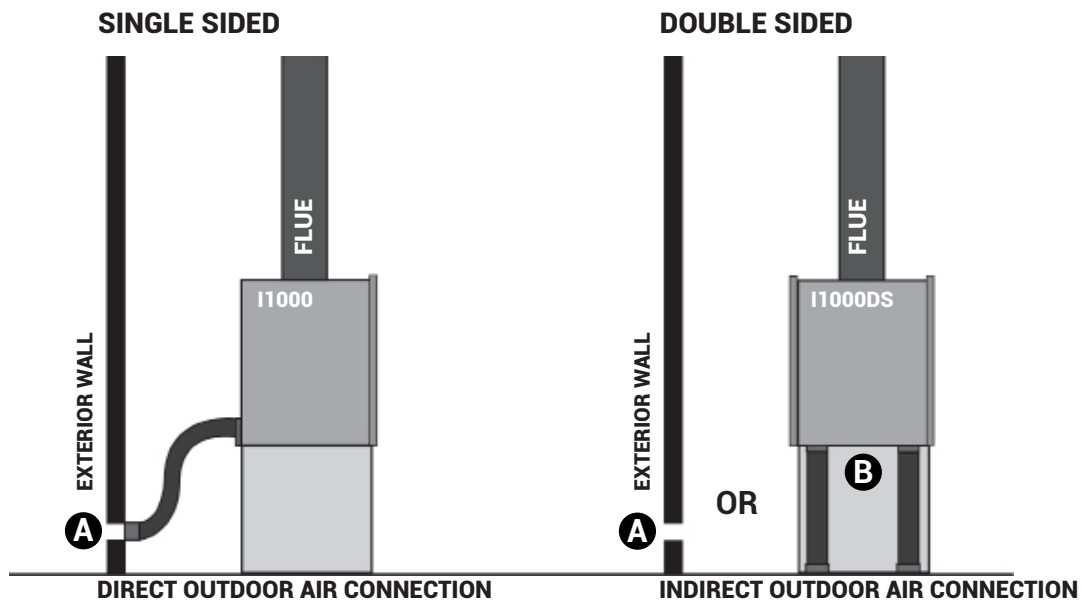
THESE INSTALLATION INSTRUCTIONS ARE AN INTEGRAL PART OF THE APPLIANCE AND SHOULD BE KEPT INDEFINITELY, SHOULD THE UNIT BE SOLD THIS MANUAL SHOULD ACCOMPANY THE UNIT.

COMBUSTION AIR

This appliance cannot operate in a de-pressurised room.

The presence of a hood, mechanically controlled ventilation or another heating appliance requiring air in a well insulated dwelling may cause disturbances (incorrect combustion, smoke drawn back into the room, etc.). It is important that sufficient quantity of air needed to burn the wood can be drawn from the room. When the room's air intake is insufficient(well insulated houses - eg. 6 star or more rated), a specific air intake must be installed in conjunction with the appliance (outdoor air kit).

In the case of an unconnected appliance, the air intake specific to the wood heater must have a minimum 300cm² surface area. It must be located either directly outside, or in a room ventilated to the outside, and must arrive at the base of the wood heater. It must be protected by a vermin proof grate. Possible heat losses due to the creation of a duct that is too long should also be taken into consideration.

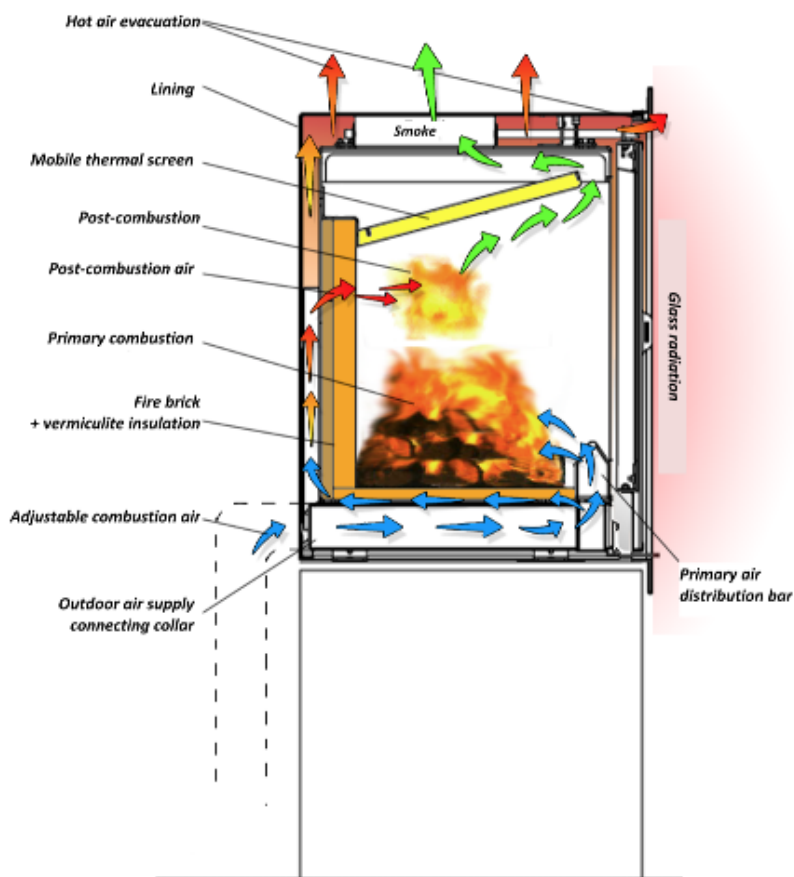


It is preferable to connect to outdoor air in order to optimise combustion control. Depending on specific building-related conditions (air tightness, presence of mechanically controlled ventilation, presence of a kitchen hood, etc).

COMBUSTION AIR CONTINUED

This will make it possible to renew the air when the wood heater is in use and will guarantee that the correct pressure is maintained inside the room. Ideally, this air intake should arrive under the wood heater.

It is important to indicate that any future alteration of the usage conditions (installation of mechanical ventilation, a hood or any other appliance requiring air, insulation works or weatherproofing improvements, etc.) may result in a malfunction such as the emission of smoke inside the room.



SINGLE SIDED DIAGRAM

OPERATION & USER GUIDE

OPERATING THE WOOD BURNER WITH THE DOOR OPEN EXPOSES YOU TO MULTIPLE HAZARDS (FALLING EMBERS, SMOKE EMISSIONS IN THE ROOM, ETC.). ALWAYS OPERATE THE APPLIANCE WITH THE DOOR CLOSED.

PRECAUTIONS FOR THE FIRST IGNITION - CURE WITH 10 SMALL FIRES

The first ten fires should be light, moderate and not overly loaded with wood. We recommend a small fire consisting of 3-4 logs weighing around 3kg in total.

PAINT

It is strongly recommended that no person(s) come into contact with the external faces of the appliance without the protective gloves provided, this will avoid any 'marking' on the paint surface prior to it being cured. The paint will polymerise after several fires. Do not scrub or clean the fireplace with any rough surface (such as a sponge). In the case of accidental scratches, make several fires until the paint is cured, at which time you can delicately clean the outside of the appliance with a hot sponge. Do not scratch or rub the fireplace while it is lit. It is recommended contact with the fireplace should be kept to a minimum. Do not paint the fireplace using products NOT recommended by the supplier, please contact your authorised dealer should you require further assistance.

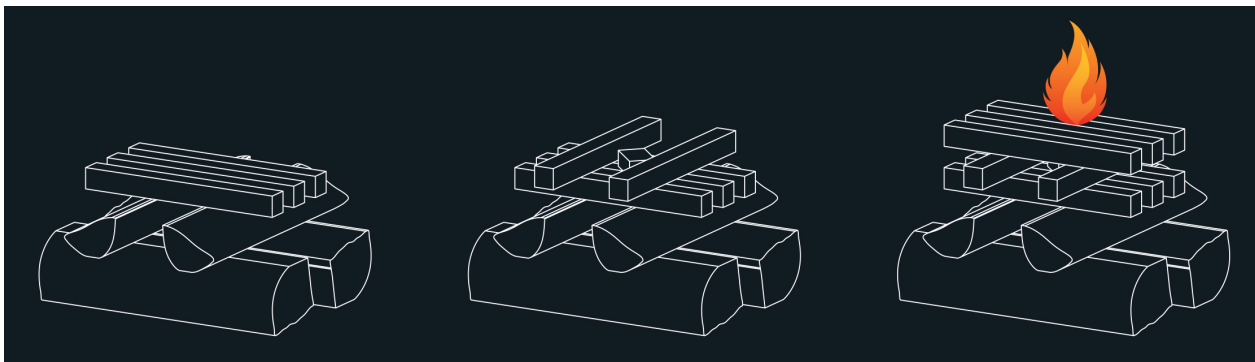
Avoid scratches and markings on your appliance by not placing any objects on your appliance during operation and when not in use.

VENTILATION

A strong burning smoke odour may be smelt during the first several fires, it is therefore recommended to ventilate the premises by opening windows/doors in order for the paint to cure. This phenomenon will disappear after these initial burns cycles.

LIGHTING THE FIRE

The fire is started with the airways open. The fire-lighting starter and the combustion control must allow maximum air intake. In order to limit smoke emission, it is preferable to use the inverted or top-down fire lighting method (see illustration below). An initial load of 3kg of wood provides a good layer of embers.



IGNITION INSTRUCTIONS

Before any ignition ensure the damper and primary air is open in order to accelerate combustion and evacuate the fumes. This adjustment should then be reduced as the fire has stabilised in order to maintain a longer fire term and avoid any possible overheating. The door of the fireplace should be closed in order to avoid any risk of back-flow.

Always slowly and gradually light the fire; split wood and fire starters are recommended. It is strictly forbidden to use any volatile substances including; methylated spirits, gasoline, solvents or the likes as these will result in a risk of explosion or thermal shocks by a sudden rise of temperature.

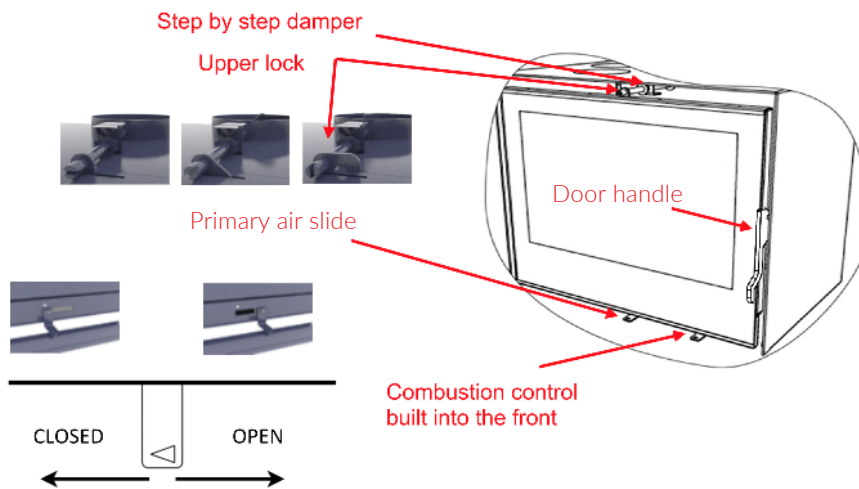
OPERATION & USER GUIDE (CONTINUED)

IGNITION INSTRUCTIONS (continued)

After an extended time of non-use, it is recommended that the firebox be checked and cleaned by a professional to ensure there is no obstruction in the flue and no blocking of the manoeuvring members (damper) before ignition.

DAMPER AIR CONTROLS

The best way to control the fire is to completely close the primary air slide and to adjust the speed with the air flow control. If the air supply seems sufficient you can partially open the primary air slide for a while. The more air you will supply into the stove, the more intense your fire will be, but with a shorter time of combustion. On the contrary, a reduced quantity of air would increase the combustion with less heat output.



ESTABLISHING THE FIRST FIRE

Before establishing the first fire, remove all labels or equipment parts located in the ash box or in the furnace.

While building your first fire, keep the combustion rate at a moderate level to ensure that the sealant binds with the paint. All materials should be seasoned.

Please note: Before building a big fire, establish several fires. The curing process is necessary to ensure that the paint is not damaged and that the insert is well seasoned.

Do not overload the furnace. The optimum amount of fuel should not exceed one third (1/3) of the insert volume. Before reloading, make sure that the fire has subsided. This will keep the fireplace from over-firing.

Flow of air can be regulated by the damper controls at the front of the unit.

Except for the short time required to build a fire, the fireplace door should be fully closed. If doors are left partly open, flue gas may be drawn out of the opening creating risks from both fire and smoke.

IMPORTANT

Ventilation devices which operate with the fireplace on the same premises or on the premises which share the same ventilation shaft may not function properly.

Please ensure the air grate is never blocked.

During installation please allow for access to have the fireplace and the connecting shaft cleaned.

If required, install cut-off and stifling devices.

RECOMMENDED FUEL

This fireplace is designed for only wood fuel. Any fuel other than wood is strictly forbidden.

As a general rule it is recommended; use dry, well-seasoned **HARD WOOD** with a 15% moisture content or less in order for the unit to burn effectively and avoid any tarring. The heating output of wood depends on the moisture percentage.

AVERAGE WOOD DRYING TIME BASED ON MOISTURE CONTENT

| | C | L | | C | L |
|--------------|----------|----------|-------------|----------|----------|
| DIRECTLY CUT | 75% | 78% | 1 YEAR | 33% | 35% |
| 3 MONTHS | 48% | 62% | 1 1/2 YEAR | 18% | 27% |
| 6 MONTHS | 37% | 46% | 2 YEARS | 16% | 24% |
| 9 MONTHS | 36% | 38% | 2 1/2 YEARS | 15% | 24% |

C: Chunks L: Logs

If the wood is piled up loosely, it will burn faster because the necessary oxygen for the combustion will easily reach every piece of wood. This piling is recommended if you want to heat over a short period of time. When the wood is piled more compact, it will burn slower because the oxygen won't reach all the logs at the same time. This piling is recommended if you want to heat over a longer period of time.

IT IS FORBIDDEN TO OPERATE THIS FIREBOX WITH THE DOOR OPEN.

DOOR: Do not open the door too fast as this will create a suction of smoke inside the room.

ATMOSPHERIC CONDITIONS

Misty or foggy weather may possibly favour back-flow of the smoke, which may be a health hazard. In this case only use the fireplace as is necessary.

For safety reasons, assemblies of appliances and accessories not provided or recommended by Axis or Sculpt Fireplaces are NOT PERMITTED. Unsuitable equipment may cause dysfunctions and disorder upon use.

EXTINGUISHING THE FIRE

Stop fuelling the fire and let it burn out. The fire should burn out without any constraints. Do not close the air slides before the fire is completely extinguished, otherwise it may release noxious gases.

CAUTION: Do not hang or install objects within 2m of the appliance. This includes paintings, photos, televisions, and any other combustible material.

OPERATION & USER GUIDE (CONTINUED)

IMPORTANT WARNING

Storing any flammable materials (paper, linen, furniture, solvents, flammable liquids, spray containers, gas bottle, etc.) close to the fireplace is strictly forbidden.

All these products should never be stored even for a short while in wood storages or recesses laid out under or near the appliance.

CAUTION: The window, the front panel of the appliance, as well as all external faces including the facade, will attain high temperatures (above 100°). Uninitiated persons, young children and infants should be monitored at all times while in the vicinity of the appliance.

SLOW BURNING

Please be aware that this method may cause unburnt matter to accumulate in the flue system. This may in the long term cause a chimney fire. Our recommendation is to therefore avoid closing the damper and primary air for an extended length of time. Use only dry hard wood with a maximum moisture content of 15% to assist in reducing creosote build up, and regularly light a high intensity fire to burn off the build up.

A draught is created from the difference in temperature between the interior and the exterior flue. The higher the temperature inside the flue, the more intense the draught is. Before closing the air inlets and reducing the combustion level in the stove for a slow burn, the temperature inside the flue must be high enough to adequately draw all the flue gas.

CAUTION: Continuous and intensive slow burn operation may cause early deterioration of the appliance and its components, as well as a chimney fire if the flue has not been regularly cleaned.

TRANSITION PERIOD, INSUFFICIENT CHIMNEY DRAUGHT AND POOR WEATHER CONDITIONS

Pay attention to the operations of the insert during transition periods and/or when chimney draught is insufficient or when weather conditions are unfavourable, especially during severe cold weather. Such conditions may cause flue gas to flow into the room. To prevent such a situation, you should reduce the intensity of fire by curbing the influx of air into the combustion chamber until smoke disappears. Afterwards you may increase air flow monitoring for any appearance of smoke in the room.

MAINTENANCE

The vitro-ceramic glass can withstand temperatures of up to 750°C. If the glass breaks following a handling error, it is not recommended to replace it using a material other than that supplied by the manufacturer. The original glass quality must be used to maintain any warranty of the wood stove.

CLEANING THE GLASS

The window of the fireplace requires regular cleaning with specific products intended for this use. The use of moist hard wood with a moisture content above 15% causes excessive creosote build up on the glass. Once again we recommend only burning very dry hard wood.

We recommend waiting for the glass to cool before cleaning it. The use of products that are too aggressive (eg. abrasive cleaners) may lead to the deterioration of some of the wood heater parts. An effective and ecological method of cleaning the glass is to use a piece of damp newspaper dipped in ash and then rinsing with clean water. You can also use a commercially available glass cleaning product.

MAINTENANCE (CONTINUED)

FLUE & FIREBOX

Flues should be professionally cleaned and checked twice a year, including at least once during the peak period of use and more if required. A professional should also check seals, door ropes, baffle plates and all consumable parts of the firebox and flue to ensure the unit is in safe working order.

DO NOT REMOVE THE BAFFLE EXCEPT WHEN PERFORMING A CHIMNEY SWEEP

CAUTION: Cracked and/or broken components (eg. glass panels or baffles) may render the installation/operation unsafe. Do not use the appliance if this is the case and contact your dealer.

ASH PAN

The ash pan should be emptied regularly in order to avoid any overflow and clogging of the fire grate. Use the cold handle supplied and pull the ash pan from the appliance. You will find some ashes catching in the cavities between the ribs of the fireplate. This bed of ashes caught between the fireplate is essential as it will create a more effective start up operation of the fire.

FORBIDDEN FUELS

This appliance is not designed for burning the following fuels:

- Solid mineral fuels (all coals or similar)
- Liquid mineral fuels (Gasoline, fuel oil, solvents, drainage oils or similar)
- Methylated spirit
- Creosote-treated woods and too moist or green woods
- Paper or cardboard
- Wood workshop residues (Shavings, saw dusts or similar)
- Other forbidden fuels that may harm the appliance or the environment

CHIMNEY SWEEPING

Prior to using and installing into an existing chimney, it's necessary to perform a chimney sweep and ensure it's clear of any build up (creosote, bird's nest, etc). Chimney sweeps should be performed twice a year, including at least once during the period of use.

CHIMNEY FIRES

Chimney fires can be caused due to incorrect use of the appliance and lack of periodic cleaning.

Visible signs of a chimney fire include:

- Abundant fumes
- Strong smell of soot
- Roaring in the flue
- Significant increase in the temperature of the flue
- Cinders flying out of the top of the flue

MAINTENANCE (CONTINUED)

CHIMNEY FIRES (CONTINUED)

Suggested course of action in case of chimney fires:

1. Put out the fire by carefully removing the glowing logs and fully close the fireplace door.
2. Use a chimney sieve screen (metal mesh 2 x 10mm, preferably brass, on a 60x60cm frame). Place the screen on the chimney top and inspect the lower parts for cracks through which fire flames may escape. A hot screen reduces the draught in the chimney and, consequently, slows down the soot burning process.
3. When required, call the Fire Department.

In the event of any emergency, put out the fire immediately by cutting off airflow into the insert and, where necessary, cover glowing wood with sand. Try to remove fuel from the hearth.

Do NOT use water to put out the fire as it may cause permanent damage.

TROUBLESHOOTING AND COURSE OF ACTION TO PUT OUT THE FIREPLACE IN THE EVENT OF AN EMERGENCY.

NOTE: These course of actions are only recommendations. For more detailed information contact your dealer or licensed technician

| Symptoms | Possible cause | Proposed course of action |
|--|--|--|
| 1. Smoke comes from the fireplace | <ol style="list-style-type: none"> 1. Air supply ventilation is choked 2. Size of chimney shaft or its length is not sufficient 3. Fault location of chimney relevant to roof ridge 4. No chimney cap installed 5. Improper connection of insert with smoke shaft 6. Chimney not clear | <ol style="list-style-type: none"> 1. Provide a clear ventilation shaft 2. Extend chimney 3. Extend chimney 4. Mount chimney cap 5. Apply reducer between fireplace insert and smoke shaft 6. Call authorised specialist |
| 2. Ash comes from the fireplace | Too much ash in ash box | Remove ash from ash box, clear grate |
| 3. Glass becomes dirty | Most likely improper firewood used (too much resin, too wet or wood from coniferous trees) or inadequate draught in chimney | Use special cleaning agent or clean ash from fireplace. If inadequate draught, see other troubleshooting suggestions. |
| 4. Starting a fire is a problem or fire is weak | <ol style="list-style-type: none"> 1. Logs too thick 2. Wood too wet 3. Ash box full 4. Chimney cold 5. Air supply installation malfunctions 6. Chimney not clear | <ol style="list-style-type: none"> 1. Use recommended fuel 2. Use seasoned firewood 3. Remove ash from ash box, clear grate 4. Heat up chimney by burning more paper 5. Provide or clear ventilation shaft 6. Call authorised specialist |
| 5. Fire is too strong | <ol style="list-style-type: none"> 1. Fireplace door open 2. Too strong draught in chimney | <ol style="list-style-type: none"> 1. Close door 2. Install draught regulator |
| 6. Movable part is damaged in use (grate, baffle board, rear panel, side panels, glass plate, seals) | Parts subjected to normal wear and tear need to be replaced (not covered by warranty - see warranty terms and conditions) | Buy new spares from the dealer (dealers information can be found on the website: https://sculptfireplaces.com.au/stockists/) |

TEST REPORTS

AXIS I1000 FREE STANDING PARTICULATE EMISSIONS, POWER OUTPUT & EFFICIENCY TEST

| | |
|-----------------------|---|
| TESTING LABORATORY | Australian Solid Fuel Testing P/L |
| MANUFACTURER | Axis |
| MODEL | Axis PO-1000 SF Free Standing |
| ISSUE DATE | 09.07.2017 |
| INVESTIGATING OFFICER | Steve Marland |
| RESULTS | The appliance particulate emissions factor was 1.2g/Kg of hard wood that complies to AS/NZS 4014.1 and the average efficiency of the appliance for all burn rates was 66% |
| CONCLUSION | The Axis I1000 solid fuel appliance complies with the requirements of AS/NZS 4012/4013(2014). |

AXIS I1000 DS FREE STANDING PARTICULATE EMISSIONS, POWER OUTPUT & EFFICIENCY TEST

| | |
|-----------------------|---|
| TESTING LABORATORY | Australian Solid Fuel Testing P/L |
| MANUFACTURER | Axis |
| MODEL | Axis I-1000 P-DF Free Standing |
| ISSUE DATE | 06.07.2017 |
| INVESTIGATING OFFICER | Steve Marland |
| RESULTS | The appliance particulate emissions factor was 1.0g/Kg of hard wood that complies to AS/NZS 4014.1 and the average efficiency of the appliance for all burn rates was 62% |
| CONCLUSION | The Axis I1000DS solid fuel appliance complies with the requirements of AS/NZS 4012/4013(2014). |

WARRANTY

AXIS firebricks are guaranteed for 10 years and the fireboxes are guaranteed for 5 years. This excludes ash pan, ash grate and fire grate retainers which are guaranteed for 1 year.

The warranty becomes effective at the date of purchase.

WARRANTY DOES NOT COVER

1. Door seals, ropes, gaskets, glass and baffle plate.
2. Any form of rust and/or corrosion to the painted finish of the heater
3. Salted air of a coastal region or a highly humid environment may contribute to some oxidation of the cast iron, in this case the warranty is therefore not valid for damages originating from these causes
4. All defects or faults resulting from poor maintenance, inappropriate use or a non-compliant installation which does not abide by Australian & New Zealand Standards AS/NZS 2918:2018 or instructions are listed in this manual are not warranted
5. Any device or accessory not provided by AXIS or Sculpt Fireplace Collection are strictly forbidden and will result in a void of all warranties by the manufacturer and distributor
6. No modifications can be made to the firebox or to original components supplied with the appliance
7. The manufacturer and distributor are by no means responsible for any indirect damage originating from a handling accident
8. Cost of removal of a defective heater or re-installation of a replacement heater is not covered
9. All warranties are void if the unit is outside and exposed to the elements.

PERFORMANCE

The performance of our fireplaces are given as an indication and comparison after testing under optimum conditions. These values reported under standard conditions may be subject to variations if the installation and conditions of use are not equivalent to our testing conditions. In any case, the closed fireplace remains an supplementary form of heat and should not replace a main heating system.

WARRANTY CLAIMS

In the case of a faulty part, the user should immediately inform the retailer.

For all warranty claims, we will require photos, proof of purchase, serial number and the date of installation along with the compliance certificate from your licensed installer.


The guarantee is strictly limited to the exchange or repair by ourselves of parts agreed to be defective, without exception. Costs of dismantling, installation, assembly and transport will under no circumstance be covered by this warranty by the manufacturer or distributor and should be handled between the user and installer.

WARRANTY CARD

| |
|--|
| DATE OF PURCHASE |
| PLACE OF PURCHASE |
| DATE OF INSTALLATION |
| COMPLIANCE CERTIFICATE NO. |
| MODEL NO. |
| NAME AND ADDRESS OF PURCHASER |
| PHONE NO. |
| EMAIL ADDRESS |
| Please include a copy of your receipt and compliance certificate |

EMAIL OR POST WARRANTY INFORMATION TO
 info@sculptfireplaces.com.au
 PO Box, 1232 Mornington, VIC 3931
 1300 851 304





Whilst every effort is taken to avoid errors, SCULPT FIREPLACE COLLECTION cannot accept responsibility for the accuracy of any statement, extract or information contained within this manual nor can any of its contributors who have submitted material for inclusion. SCULPT FIREPLACE COLLECTION may change or update this manual and anything described in it without notice. We will endeavour to ensure that information, materials and data on this site are complete, accurate and up-to-date. Information on this manual is for guidance only and cannot cover all circumstances. E&OE

Sculpt Fireplace Collection is an Australian owned company who exclusively supply some of world's most sought after **high-end luxury fireplaces.**

Intent on providing Australians with a dynamic collection of designer fires, Sculpt fireplace collection has strategically gathered not only award winning fireplace designs, but also fireplaces that have been manufactured with high quality materials and the best raw steel that is built to last.

Our wood fire manufacturers integrate innovation, technology, environmental impact, operational expertise and quality, whilst holding design at the forefront. We aim to fill homes with the maximum of comfort while capturing the true art and meaning of a sculptural fireplace in any living space.



JC BORDELET
créateur d'harmonie

SEGUIN
DUTÉRIEZ

Sculpt is proud to be the sole importer of Seguin, Axis and Bordelet fireplaces, with exclusive distribution rights throughout Australia and New Zealand.

THIS PAGE INTENTIONALLY LEFT BLANK



SCULPTTM

FIREPLACE
COLLECTION

1300 851 304
info@sculptfireplaces.com.au
www.sculptfireplaces.com.au

Edition 12/03/2021