

Masport[®] Heating

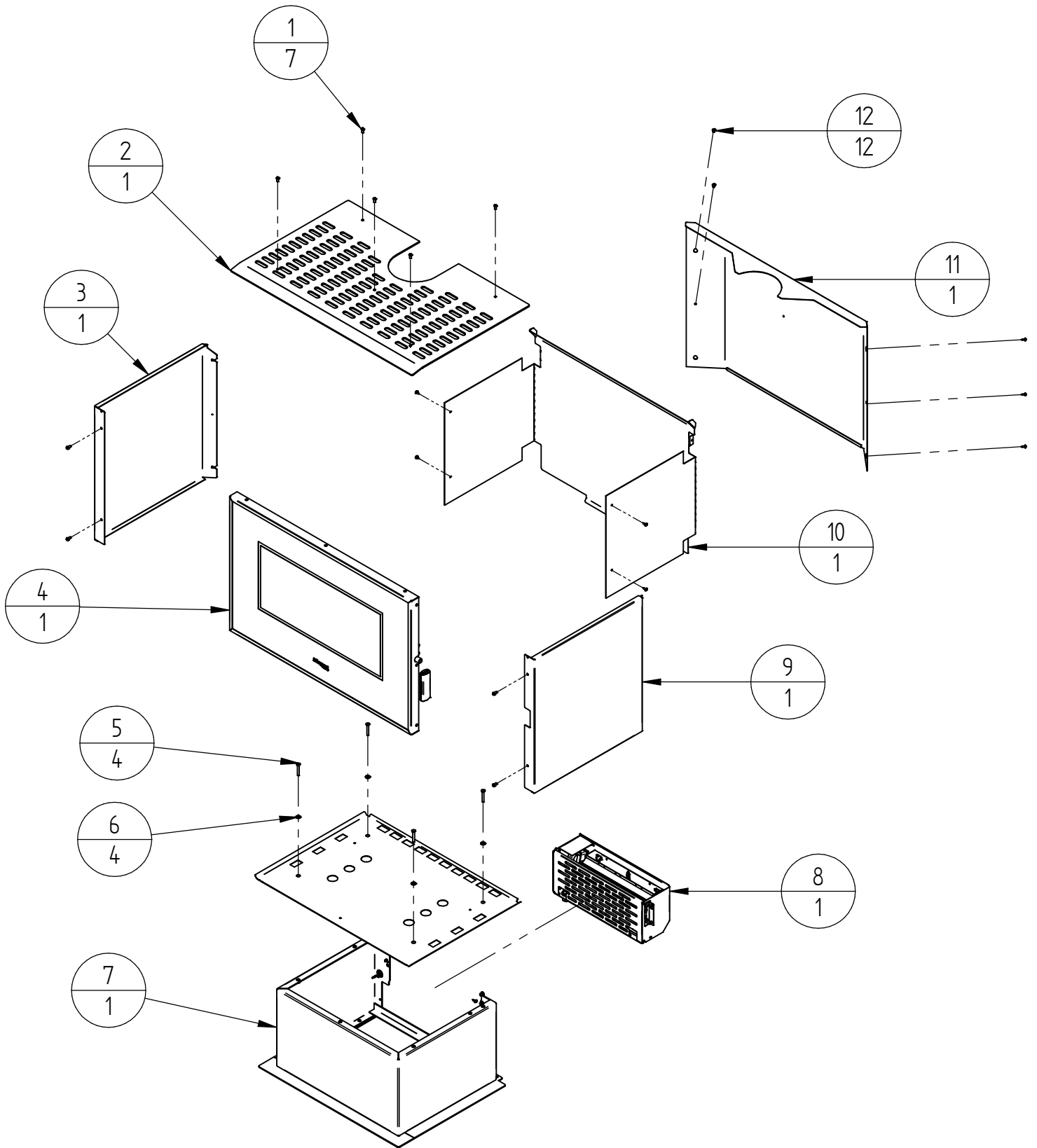
FREESTANDING WOOD FIRE

CRESWICK - AUSTRALIA

DESCRIPTIONS	ITEM NO.	MARKET	FUEL TYPE	FINISH	YEAR	FAN
FREESTANDING WOOD FIRE	980905	AUSTRALIA	HARDWOOD	Metallic Black VHT Paint	APRIL 2019	YES



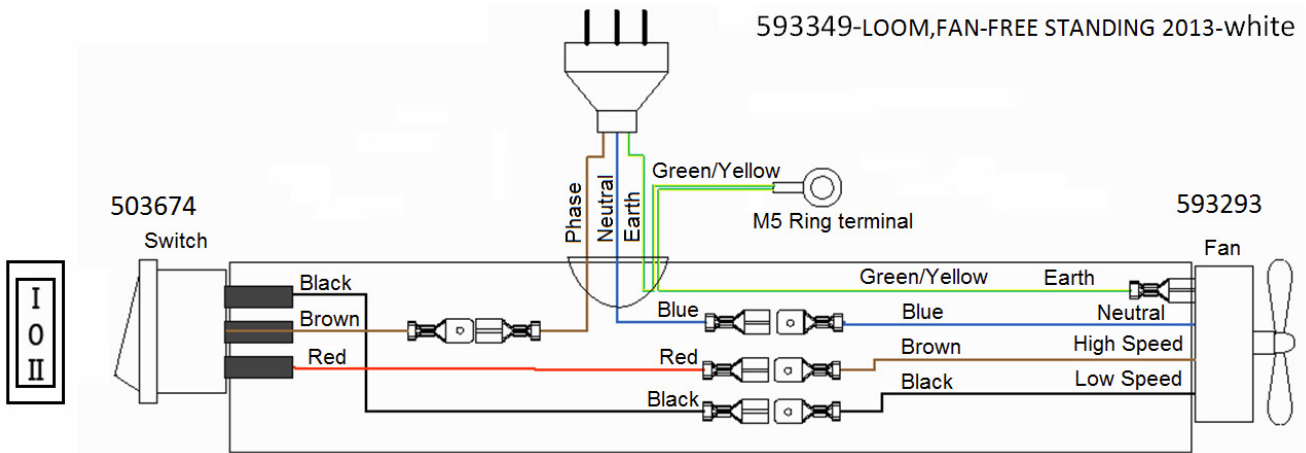
OUTER PANELS AND DOOR



When ordering PLEASE QUOTE PART ID along with Finish Suffix (if applicable)

OUTER PANELS AND DOOR				
Item	Part ID	Model	Description	Qty
		CRESWICK AU		
1	521810	-	SCREW; CAP M6X12 BUTTON ALLEN BLK	7
2	980102	V02	€10000 TOP PANEL, AU	1
3	980107	V02	€10000 SIDE PANEL L/H	1
4	980103	-	€10000 DOOR ASSEMBLY COMPLETE	1
5	521077	-	SCREW; M6X40 HEX ZP	4
6	523007	-	WASHER; FLAT 1/4"X5/8" BLK	4
7	980110	V02	€10000 PEDESTAL ASSEMBLY COMPLETE	1
8	980040	-	€5000 AU FAN KIT COMPLETE	1
9	980106	V02	€1000 SIDE PANEL R/H	1
10	980065	V02	€10000 HEAT SHIELD WRAP	1
11	980108	V02	€10000 REAR PANEL	1
12	521645	-	SCREW; S/T 8GX1/2" MUSH FLANGE POZI BLK	12

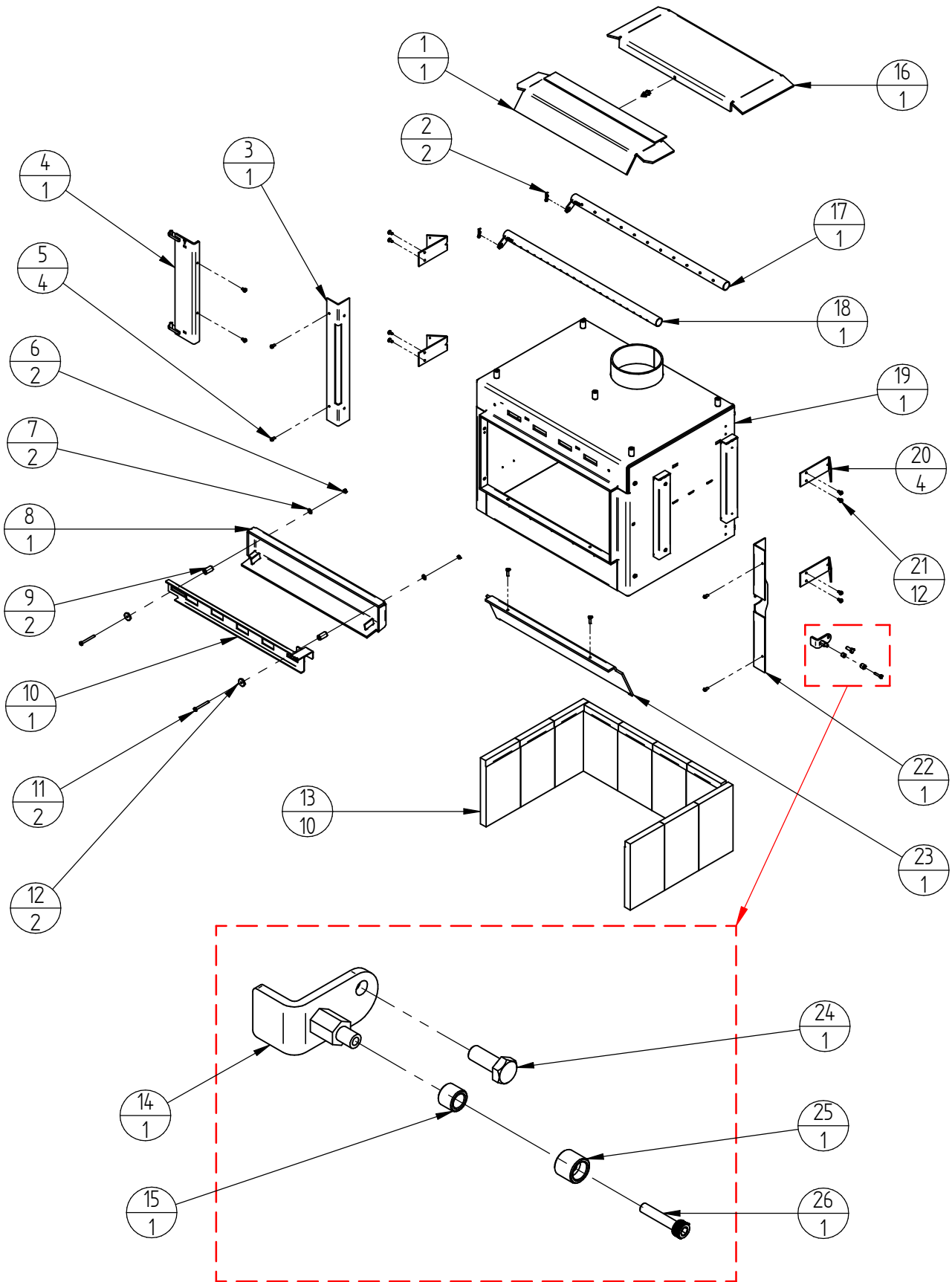
FAN LOOM DIAGRAM



FAN WIRING DIAGRAM W/F FREESTANDING 2013 ONWARDS

When ordering PLEASE QUOTE PART ID along with Finish Suffix (if applicable)

AIRSLIDE, BAFFLE, BRICKS AND FIREBOX

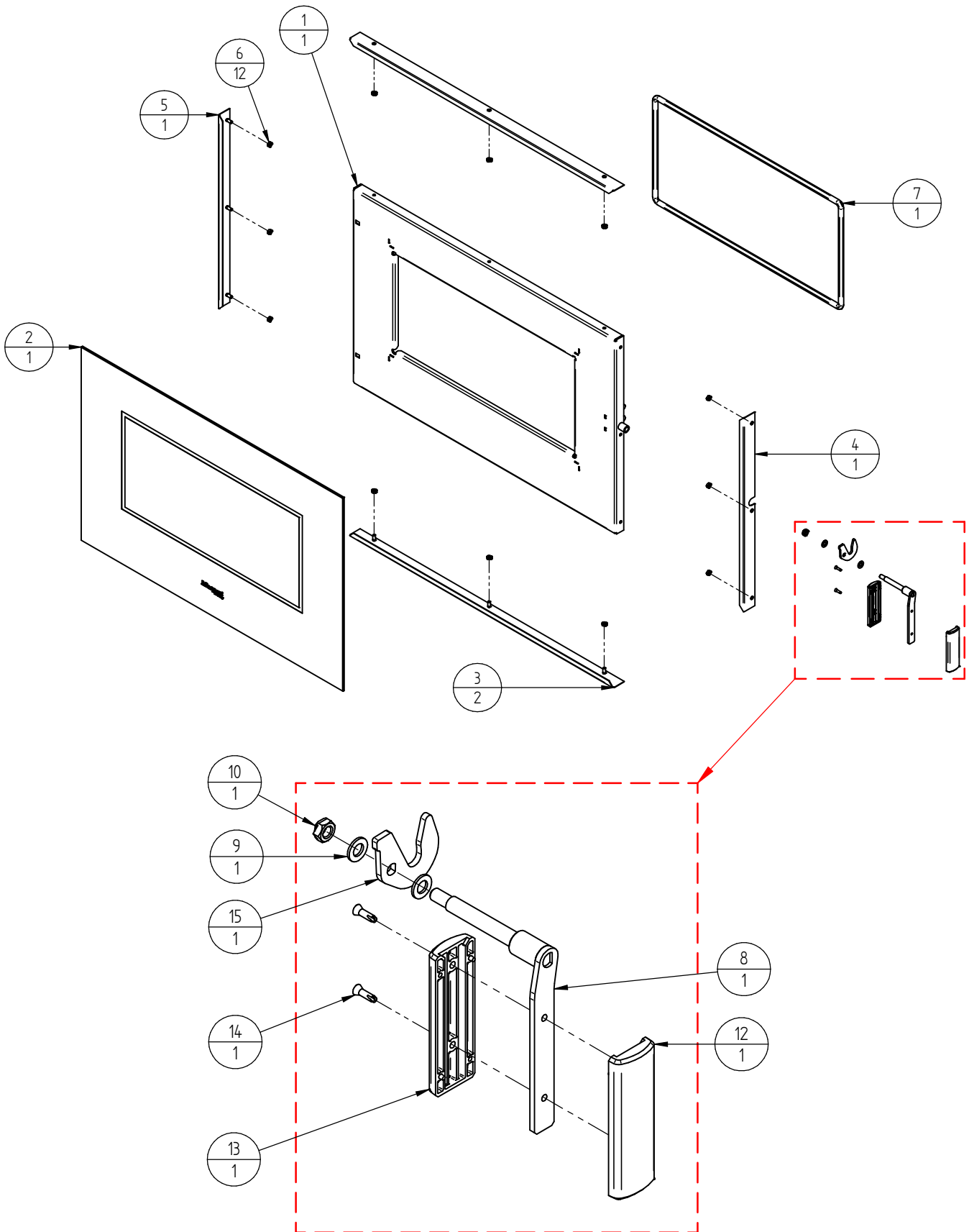


When ordering PLEASE QUOTE PART ID along with Finish Suffix (if applicable)

OUTER PANELS AND DOOR				
Item	Part ID	Model	Description	Qty
		CRESWICK AU		
1	983591	-	R10 BAFFLE FRONT SUB ASSEM	1
2	526101	-	CLIP; R-CLIP 1.8 DIA ST	2
3	980058	-	C10000 FRONT BRACKET LEFT	1
4	980128	-	C10000 HINGE ASSY	1
5	521810	-	SCREW; CAP M6X12 BUTTON ALLEN BLK	4
6	522117	-	NUT; HEX STD M6 ZP	2
7	523007	-	WASHER; FLAT 1/4"X5/8"X18G ZP	2
8	980143	-	C10000 AIR DEFLECTOR SUB-ASSY	1
9	MIC00129	-	MIC AIR DEFLECTOR BUSH	2
10	980056	-	C10000 AIRSLIDE	1
11	520002	-	BOLT; M6X55 HEX ZP	2
12	598475	-	LOCKING PLATE BUSH	2
13	MIC00354	-	MIC BRICK	10
14	980139	V02	C10000 LATCH BRACKET ASSY	1
15	580070	-	C5000 LATCH ROLLER	1
16	983593	-	R10000 BAFFLE PLATE REAR	1
17	980133	-	C12000 REAR AIR TUBE ASSEMBLY	1
18	980132	-	C12000 FRONT AIR TUBE ASSEMBLY	1
19	980101	-	C10000 F/B WELDED ASSEMBLY	1
20	980011	-	C5000 REAR BRACKET	4
21	521046	-	SCREW; M6X10 PAN POZI ZP	10
22	980058	-	C10000 FRONT BRACKET LEFT	1
23	983509	-	R10000 F/B LOWER PLATE	1
24	522109	-	NUT; HEX STD M8 ST304	1
25	580072	-	C5000 LATCH CAP LOCK	1
26	521805	-	SCREW; CAP M5X25 ALLEN BLK	1

When ordering PLEASE QUOTE PART ID along with Finish Suffix (if applicable)

DOOR ASSEMBLY (980103)



When ordering PLEASE QUOTE PART ID along with Finish Suffix (if applicable)

DOOR ASSEMBLY (980019)				
Item	Part ID	Model	Description	Qty
		CRESWICK AU		
1	980119	-	C10000 DOOR FRAME SUB-ASSEMBLY	1
2	580061	-	C10000 DOOR GLASS	1
3	980125	-	C10000 GLASS RETAINER HORIZONTAL ASSY	2
4	980127	-	C10000 GLASS RETAINER VERTICAL R/H ASSY	1
5	980126	-	C10000 GLASS RETAINER VERTICAL L/H ASSY	1
6	522107	-	NUT; HEX STD M6 BLK	12
7	980063	-	C10000 DOOR ROPE	1
8	980078	-	C5000 WELDED DOOR SPINDLE	1
9	523018	-	WASHER; FLAT 5/16"X5/8" X16G BLK	2
10	522908	-	NUT;BINX M8 ZP	1
12	593598	-	I3000 DOOR HANDLE FRONT RH PLASTIC	1
13	593599	-	DOOR HANDLE REAR L/H PLASTIC	1
14	521650	-	SCREW; 8GX5/8" S/S TYPE 25 C/S POZI	2
15	980077	-	HOOK-DOOR, C5000	1

When ordering PLEASE QUOTE PART ID along with Finish Suffix (if applicable)

NOT ILLUSTRATED				
Item	Part ID	Model	Descriptions	Qty
		980905		
1	593286	-	OWNER MANUAL WOODFIRES	1
2	593287	-	INSTALL MANUAL WOODFIRE	1
3	981195	-	AKAROA AIRSLIDE TOOL ASSY	1
4	580136	-	CRESWICK / C10 AU DATA SHEET	1
5	580137	-	CRESWICK / C10 AU PED BRICK LAYOUT	1

SURFACE FINISH CODES FOR PANELS				
VHT PAINT(Very High Temp)			POWDER COAT	
V02	P-000022	METALLIC BLACK	P02	MATT BLACK
			P08	MANNEX BLACK

When ordering PLEASE QUOTE PART ID along with Finish Suffix (if applicable)